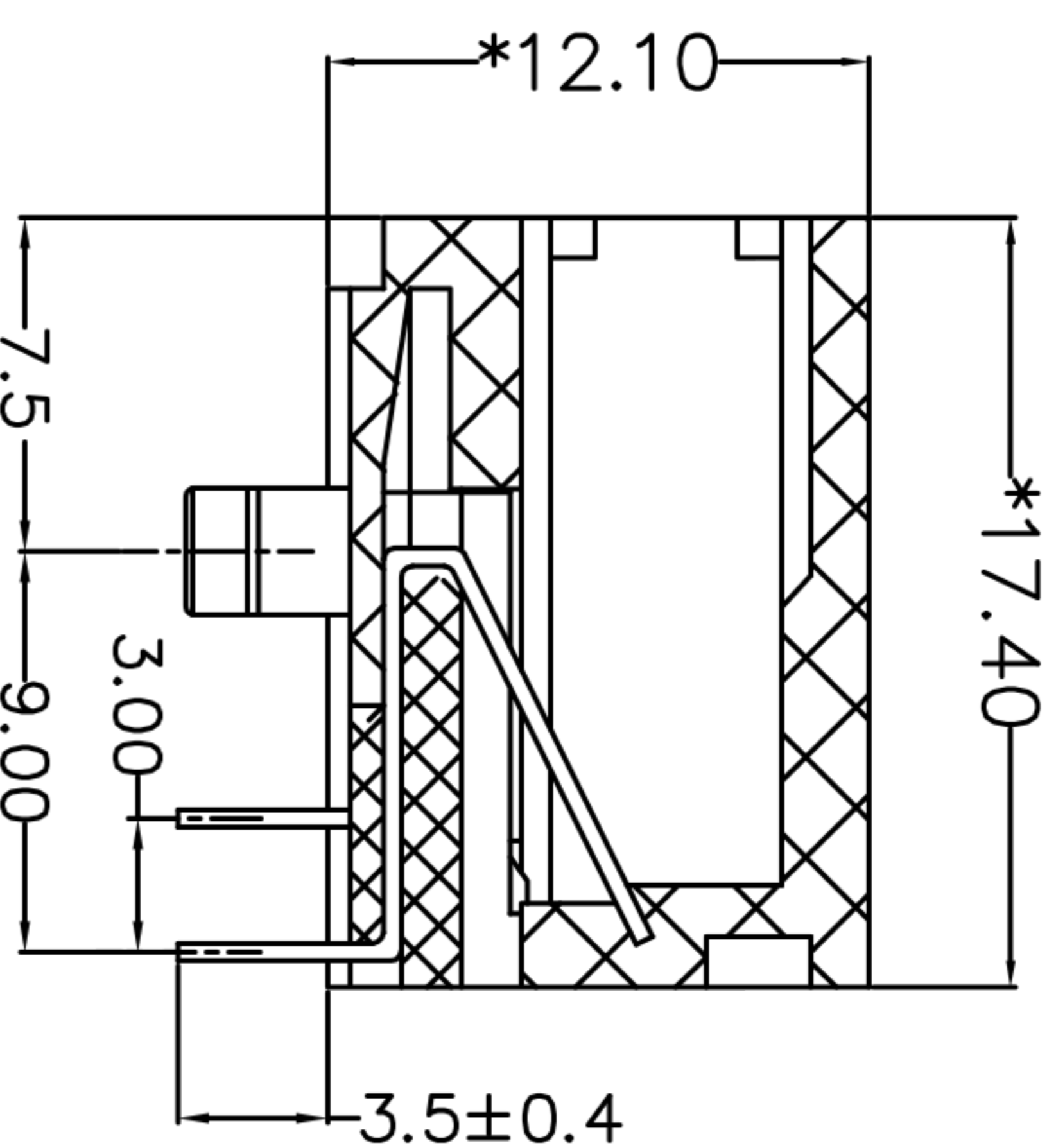
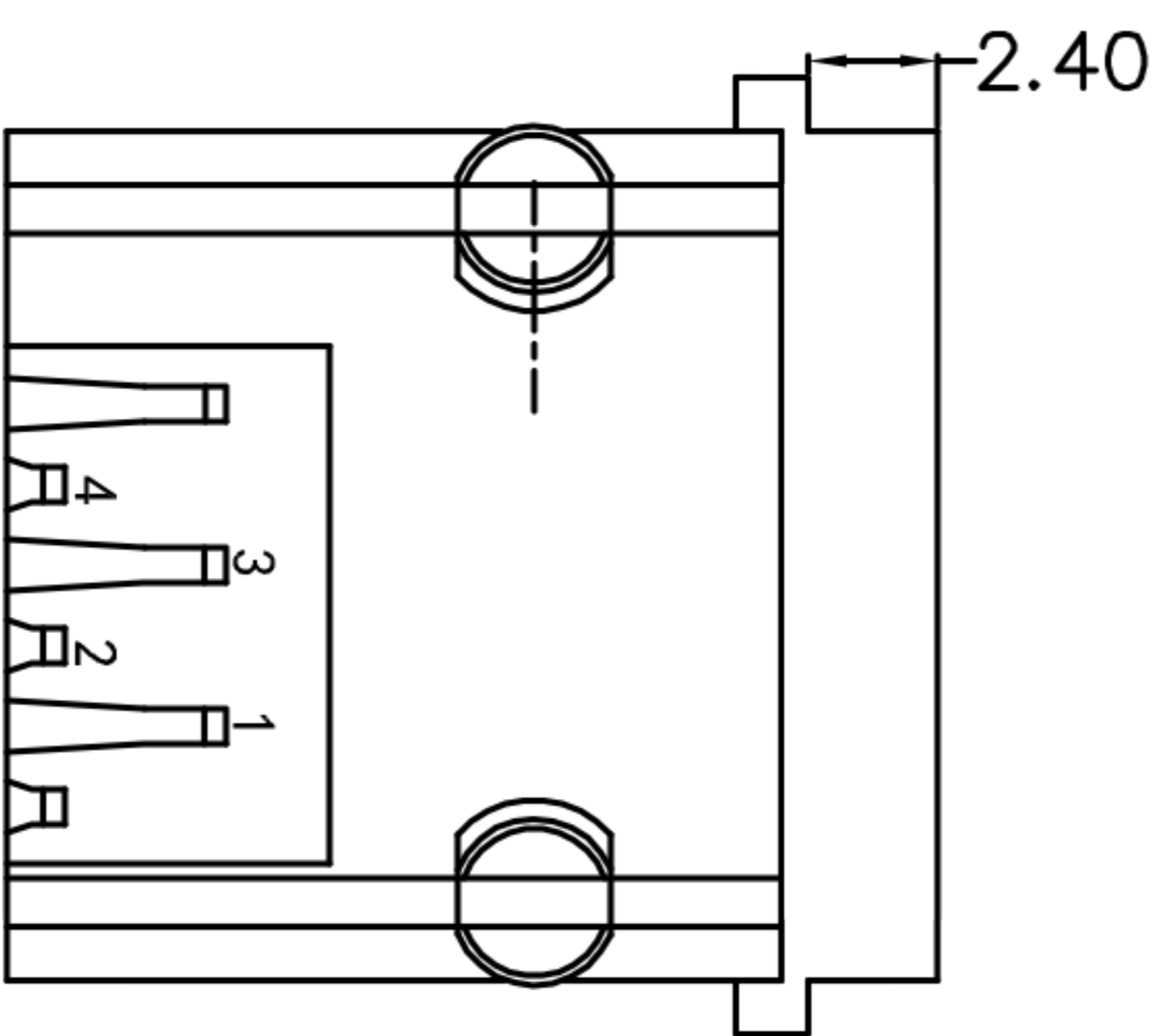


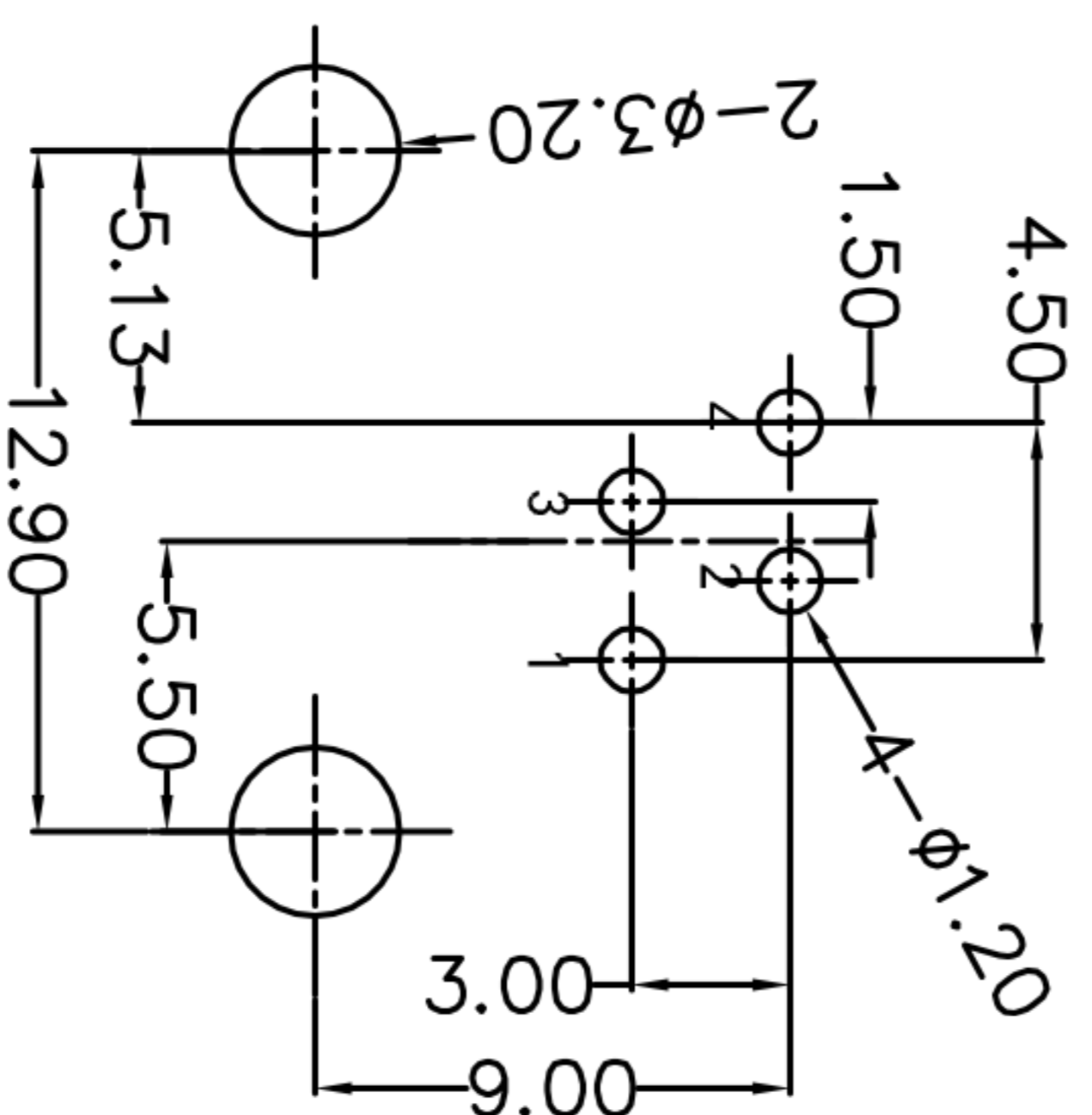
FRONT VIEW



RIGHT SIDE VIEW



BOTTOM VIEW

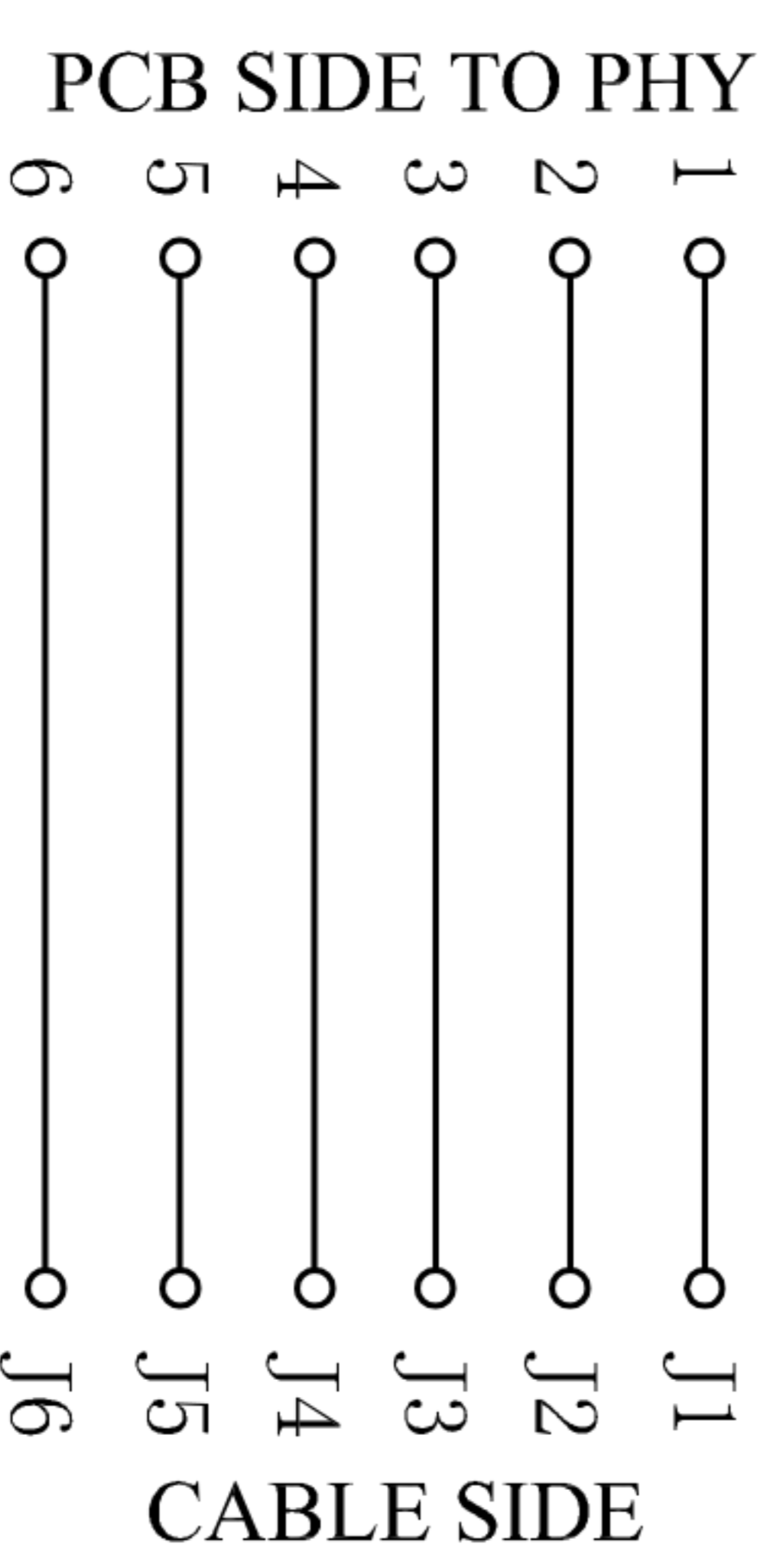


RECOMMENDED PCB LAYOUT
VIEWED FROM COMPONENT SIDE

MATERIAL:
HOUSING: PBT, UL94V-0, WHITE.
TERMINAL: PHOSPHOR BRONZE T=0.40MM, G/FU" GOLD PLATING.

MACHANICAL:
DURABILITY: 600 CYCLES MIN.
INSERTION FORCE: 2.2KG.F MAX.
RETENTION STRENGTH : 7.7KG.F BETWEEN JACK AND PLUG.
OPERATING TEMPERATURE: -40°C ~+85°C.
STORAGE TEMPERATURE: -10°C~+40°C.
ALL CRITICAL DIMENSIONS WITH "*"

ELECTRICAL:
VOLTAGE: 125 VOLTS AC.
CURRENT RATING : 1.5AMP.
DIELECTRIC STRENGTH: 1000 VAC RMS 50HZ OR 60HZ, 1MIN.
INSULATION RESISTANCE: 500 MEGA OHMS MIN. INITIAL
AFTER 500V DC FOR 1 MINUTE.
CONTACT RESISTANCE: SINGLE TERMINAL 30 MILLIOHMS MAX.



ECN NO.	REV.	DATE.	DESCRIPTION.	CHANGE.	CHECK.	APPRO.
	A		NEW			

APPROVALS		DATE	深圳市联丰电子有限公司 SHENZHEN LINFENG ELECTRONIC CO.,LTD			
DRAWN	ZHIWEI.CHEN	2015.07.07	TITLE:	UK JACK-DJ 6P4C	PART NO.	RJ45-6W11-DDN-BB-64-W1
CHECKED			UNIT:	mm	SCALE:	1:1
APPROVALS			PROJ:		PROJ:	
TOLERANCES ARE			ANGLE	±2°	DRAWING NO.	
30~以上	±0.30					
10~30	±0.20					
5~10	±0.15					
~ 5	±0.10					
SHEET			1 OF	1		