

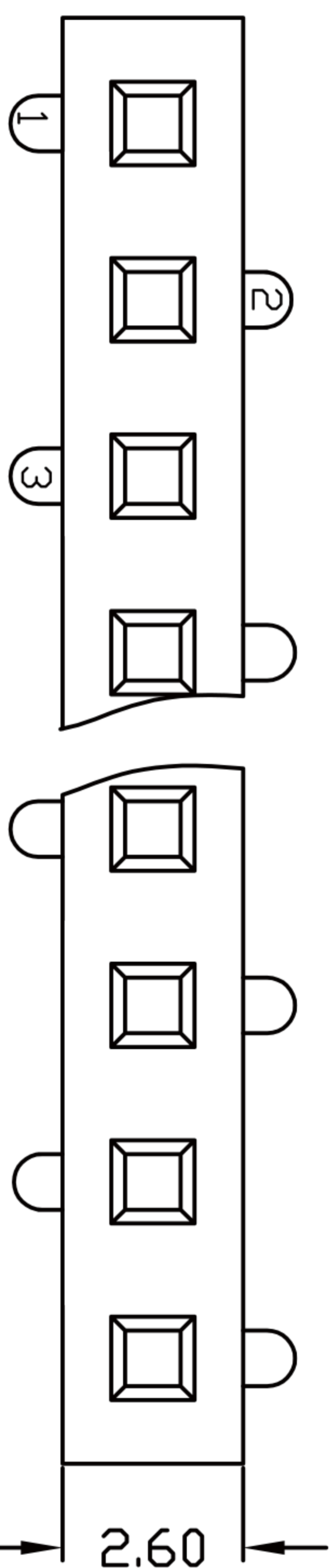
Specifications/备注 (Remark)

1-材料 (MATERIAL)

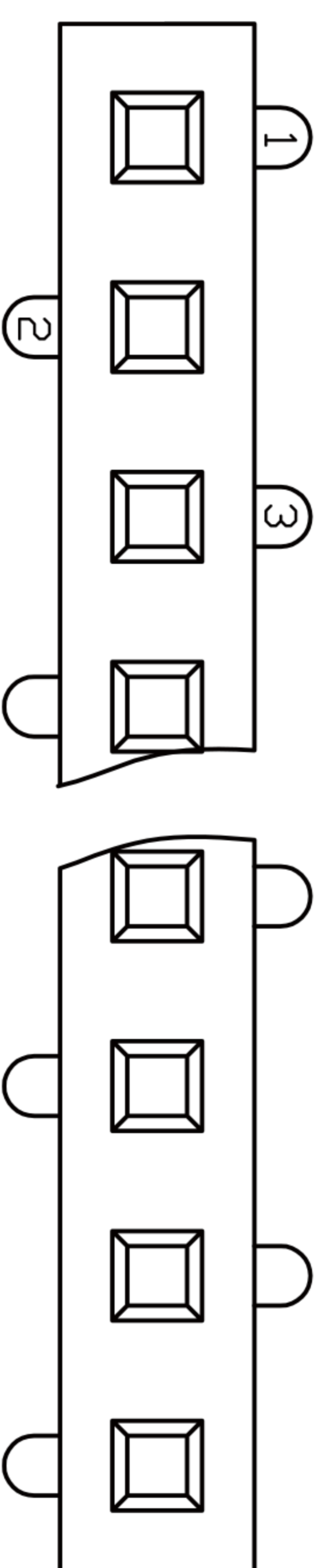
胶芯: PA6T+30%G.F UL94V-0, 颜色: 黑色
 Housing: PA6T+30%G.F UL94V-0, Color: Black
 四方针: 黄铜/镍底30U"MIN/表面镀金0.8U"MIN
 Contact: Brass/0.8U"MIN GOLD PLATING
 OVER ALL 30U"MIN NICKEL UNDERPLATING
 OVER ALL

2-特性 (characteristics):

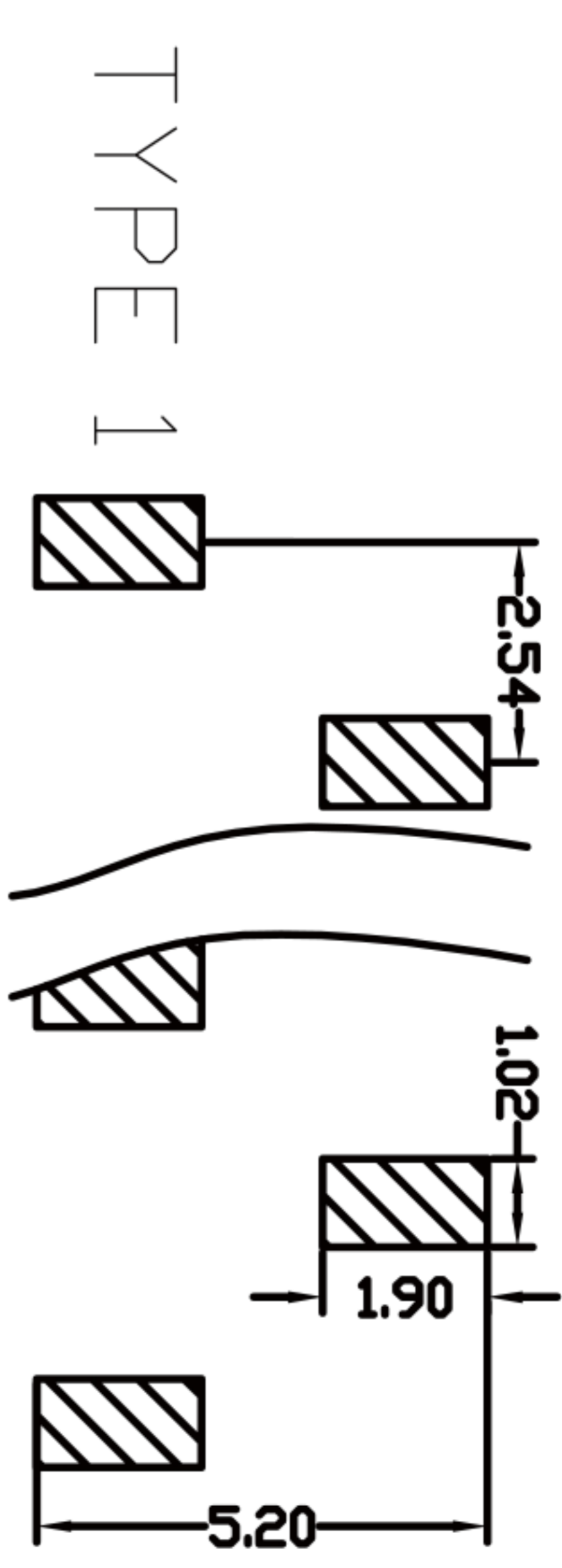
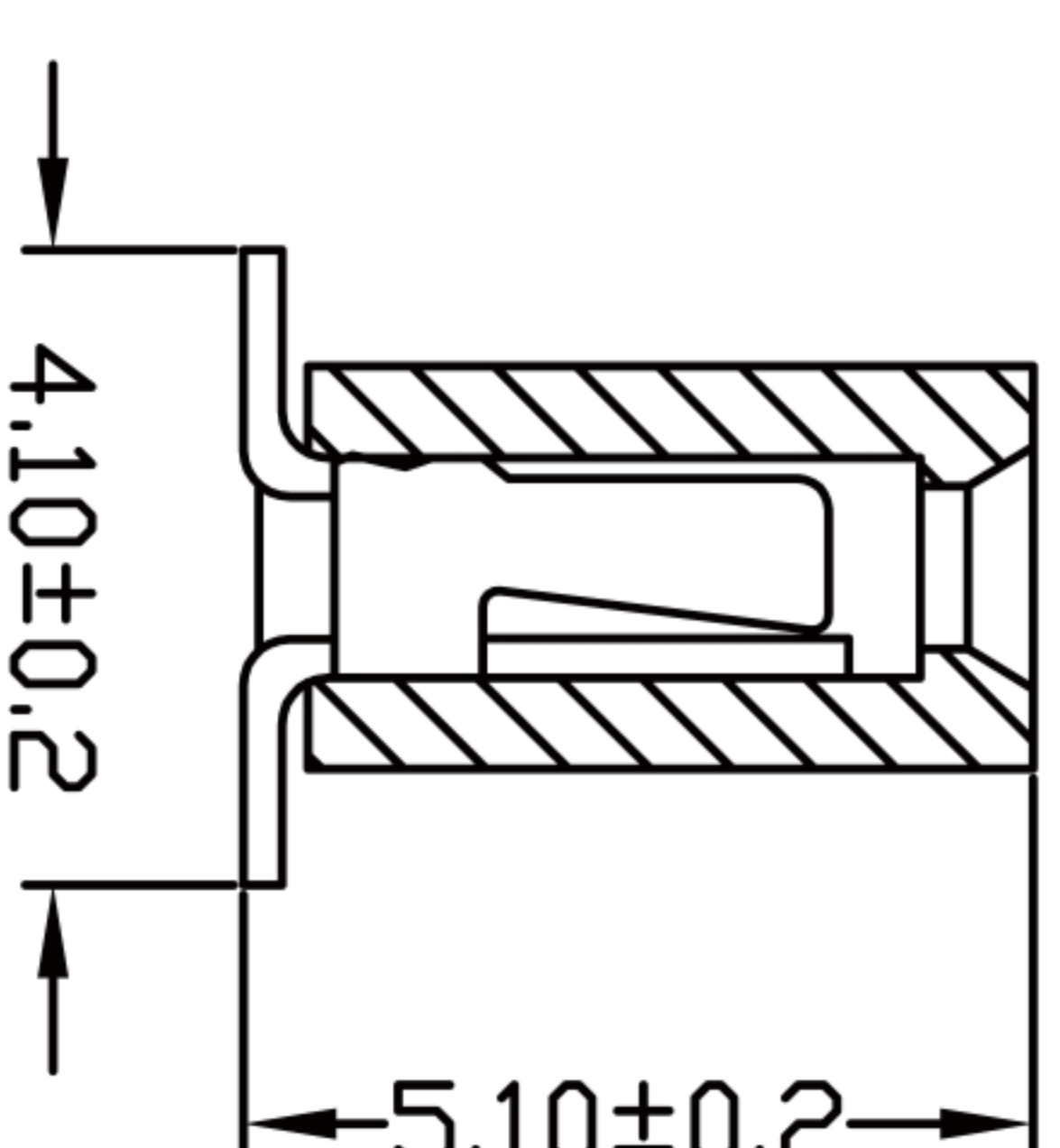
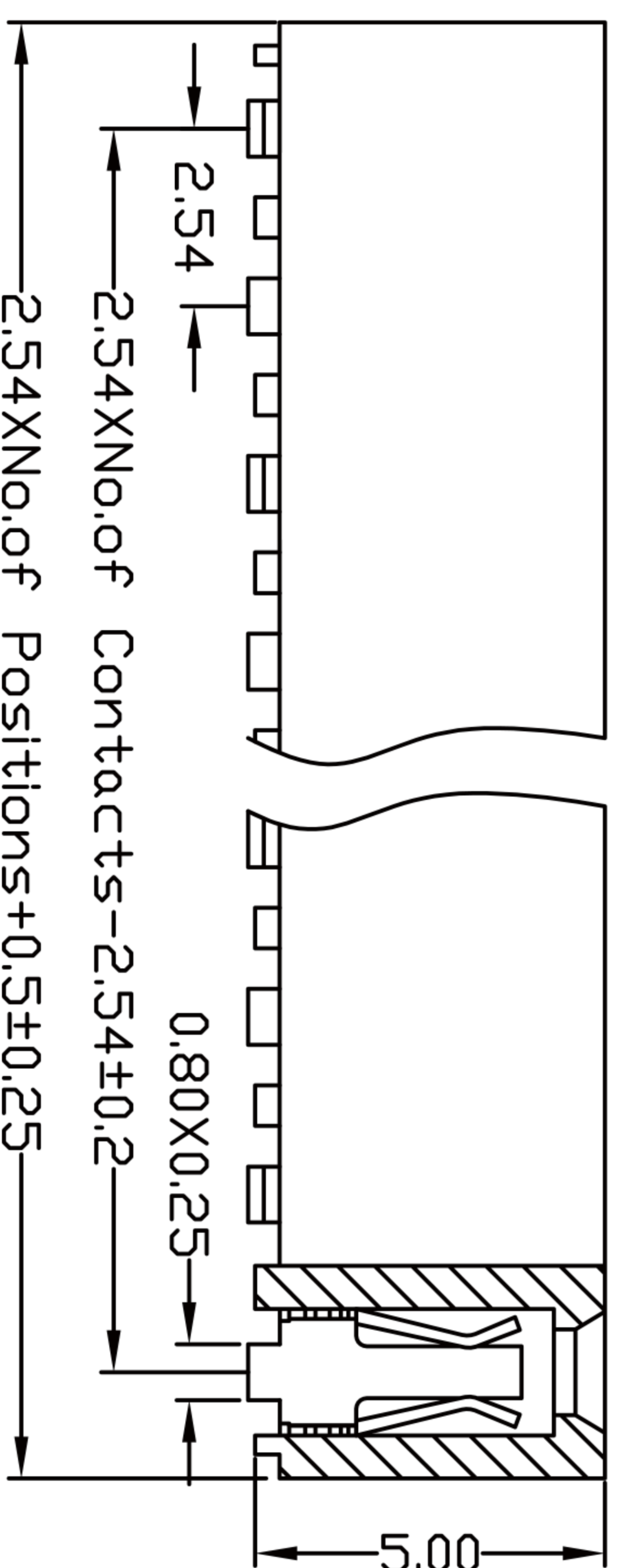
额定电流: 3 AMP
 Rating Current: 3 AMP.
 接触电阻: 20mΩ MAX.
 Contact Resistance: 20mΩ MAX.
 绝缘阻抗: 1000MΩMIN.
 Insulating Resistance: 1000MΩMIN.
 耐电压: AC 500V.
 Withstanding Voltage: AC 500V.
 温度范围: -40度至+105度
 Temperature Range: -40°C to +105°C



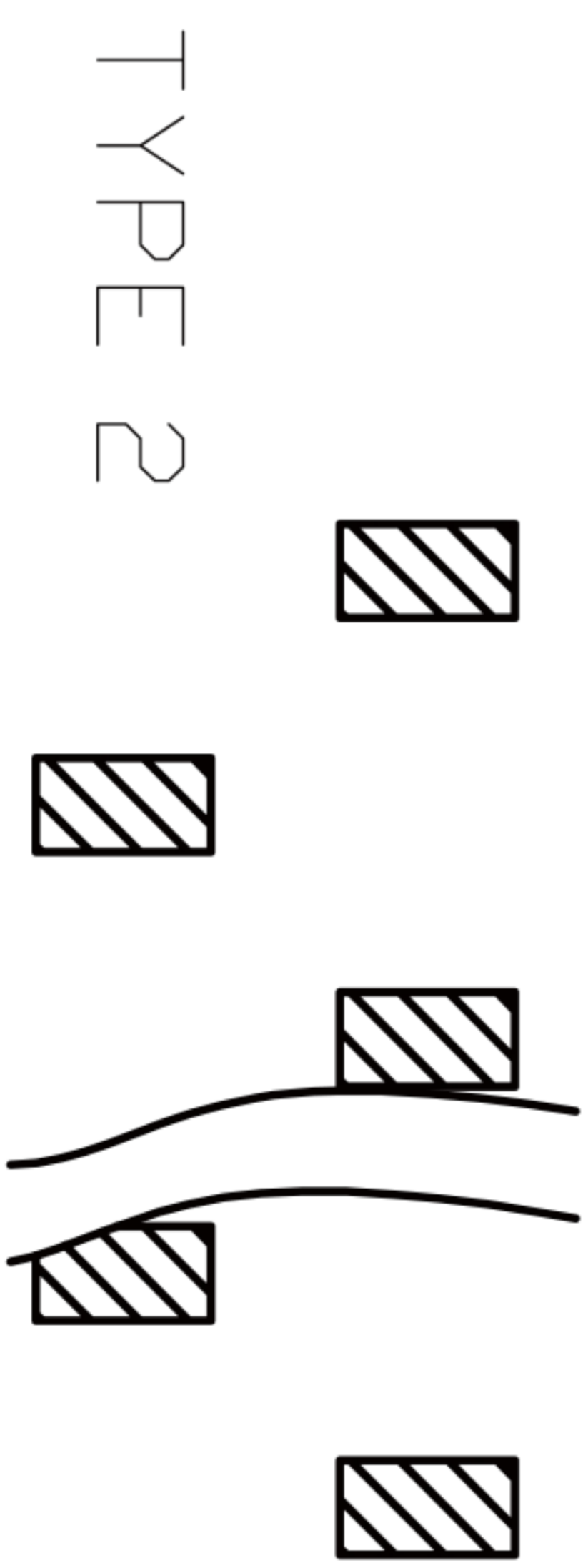
TYPE 1



TYPE 2



TYPE 1



TYPE 2

ECN NO.	REV.	DATE.	DESCRIPTION.
	A		NEW

APPROVALS		DATE	TITLE:	
DRAWN	ZHIWEI.CHEN	2015.07.07	2.54mm 单排排母 U端 SMT	
CHECKED			PART NO. GP25-2521WV-S-NP	
APPROVALS			SCALE: 1:1	
TOLERANCES ARE		30~以上 ±0.30	ANGLE	UNIT: mm
		10~30 ±0.20	±2°	SCALE: 1:1
		5~10 ±0.15		PROJ.
		~ 5 ±0.10	DRAWING NO.	SHEET 1 OF 1



深圳市联丰电子有限公司
 SHENZHEN LINBENYONG ELECTRONIC CO.,LTD