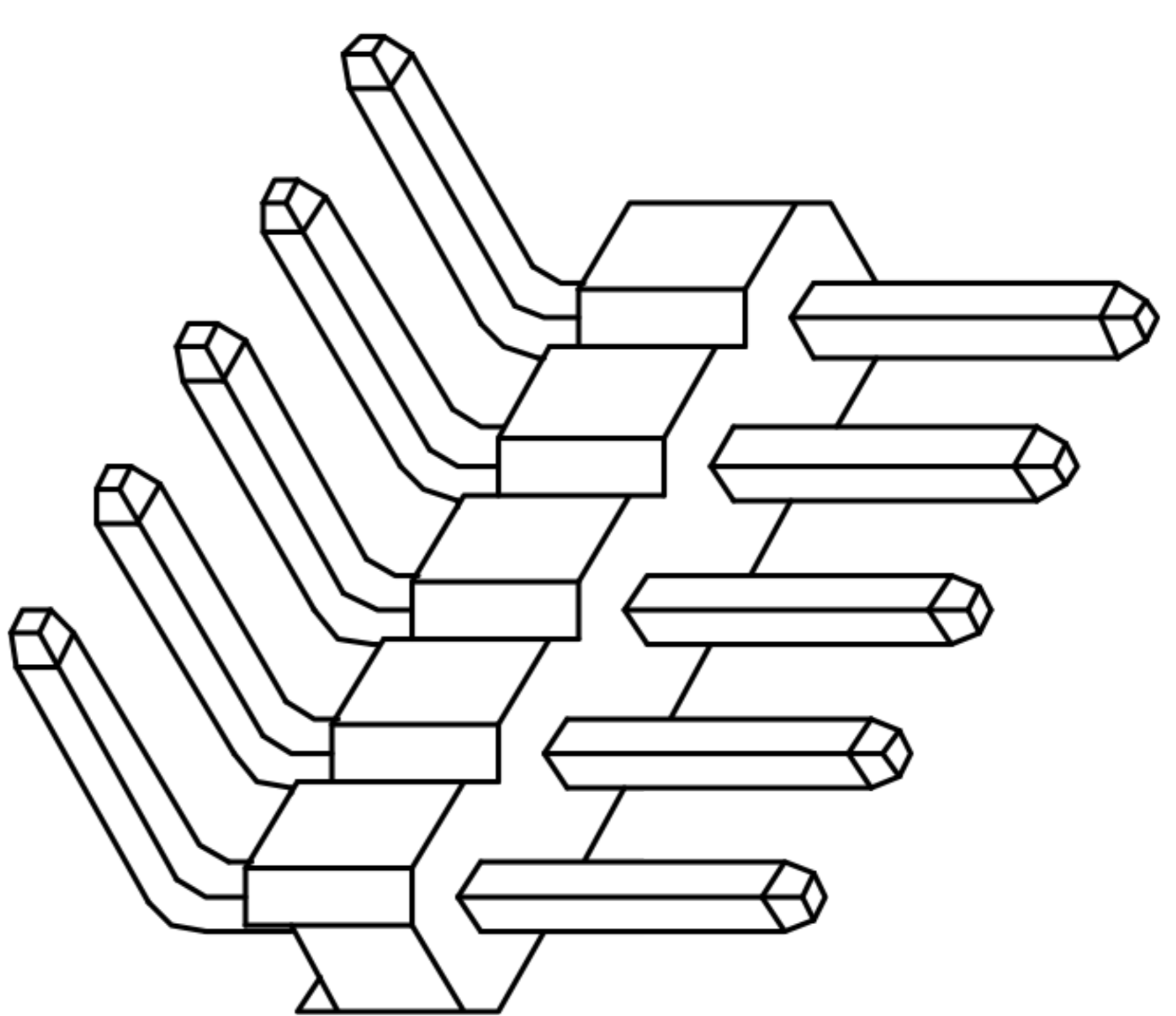
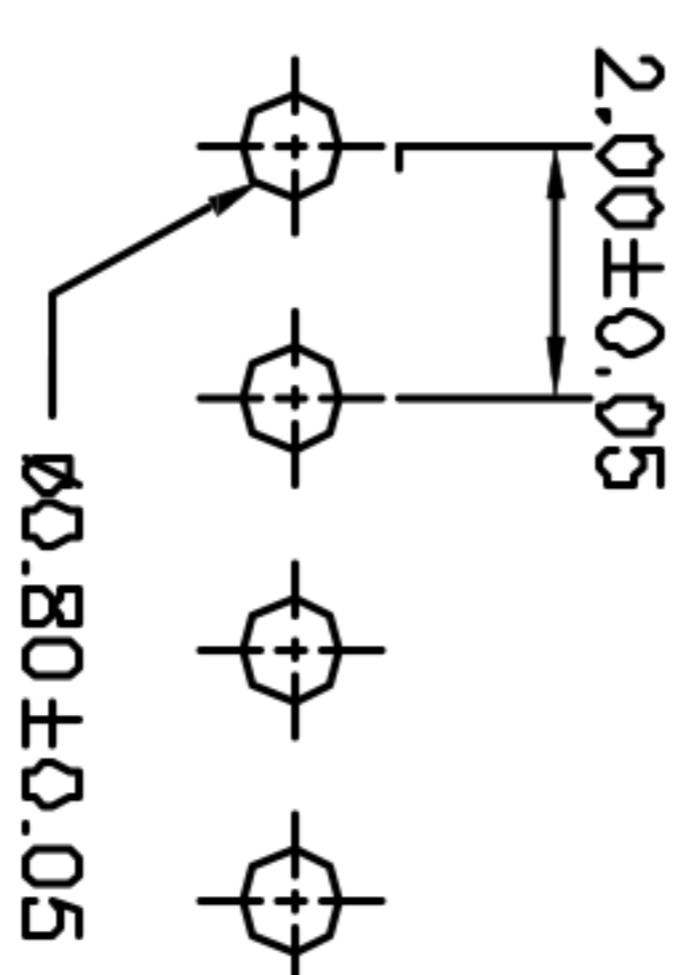
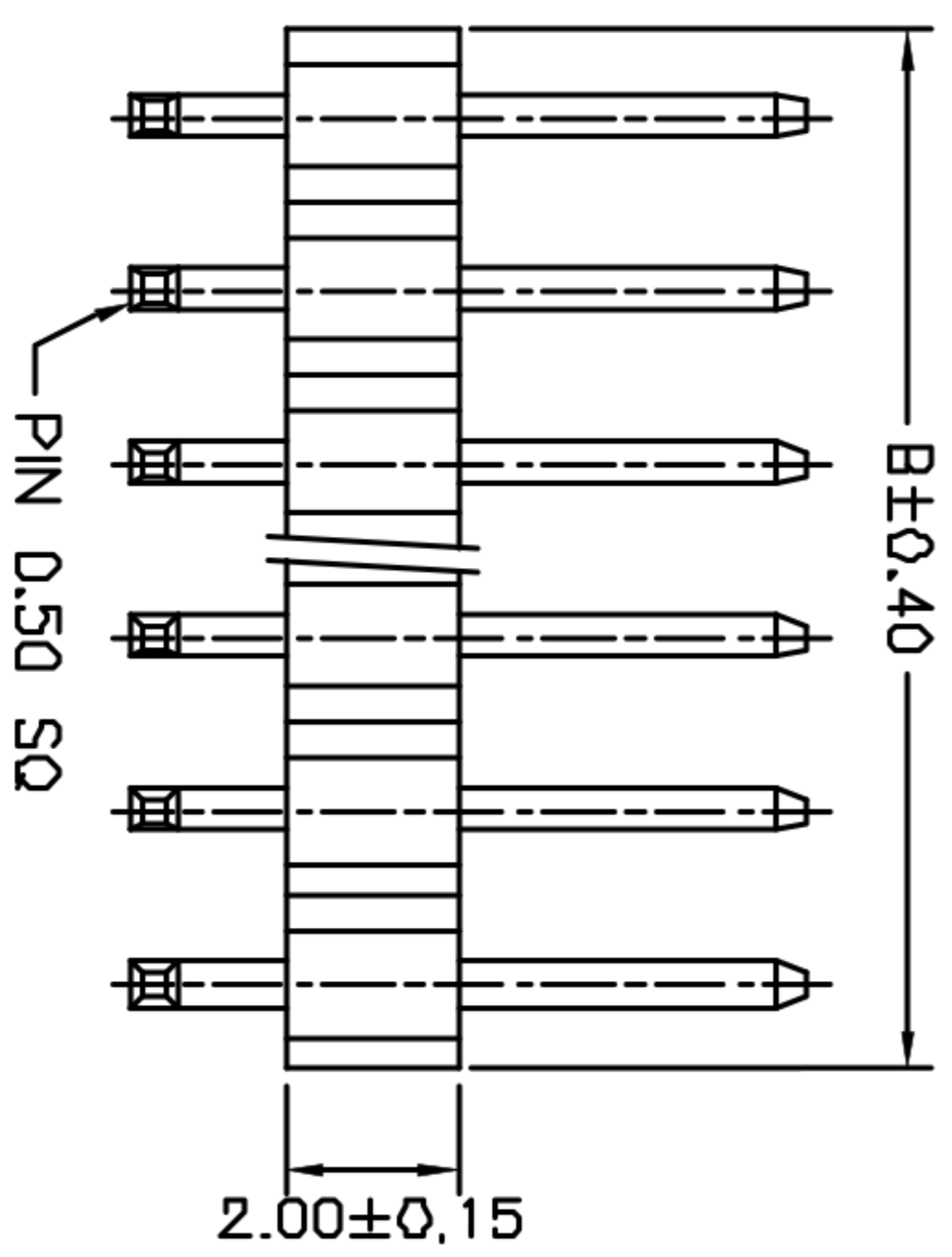
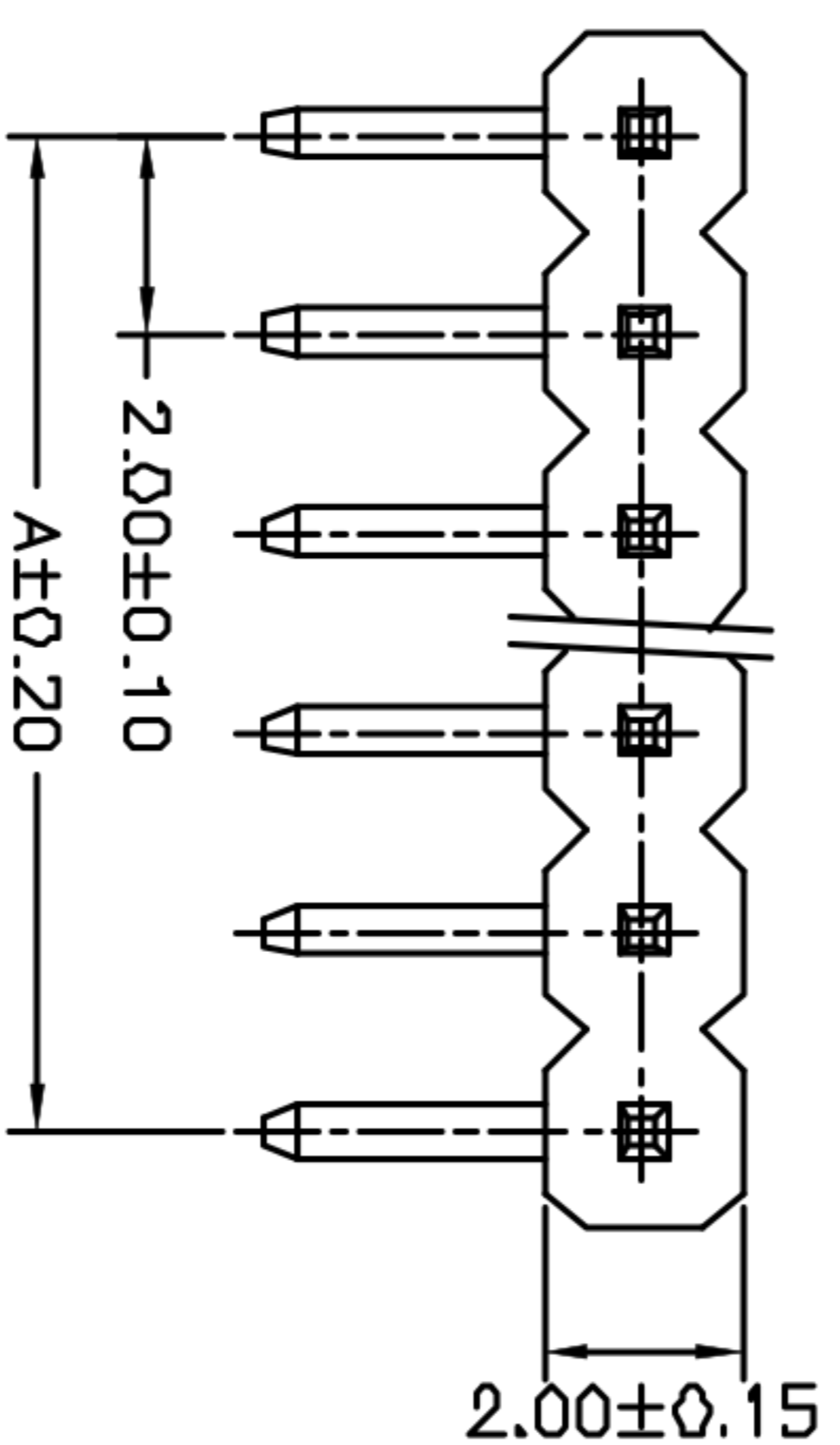


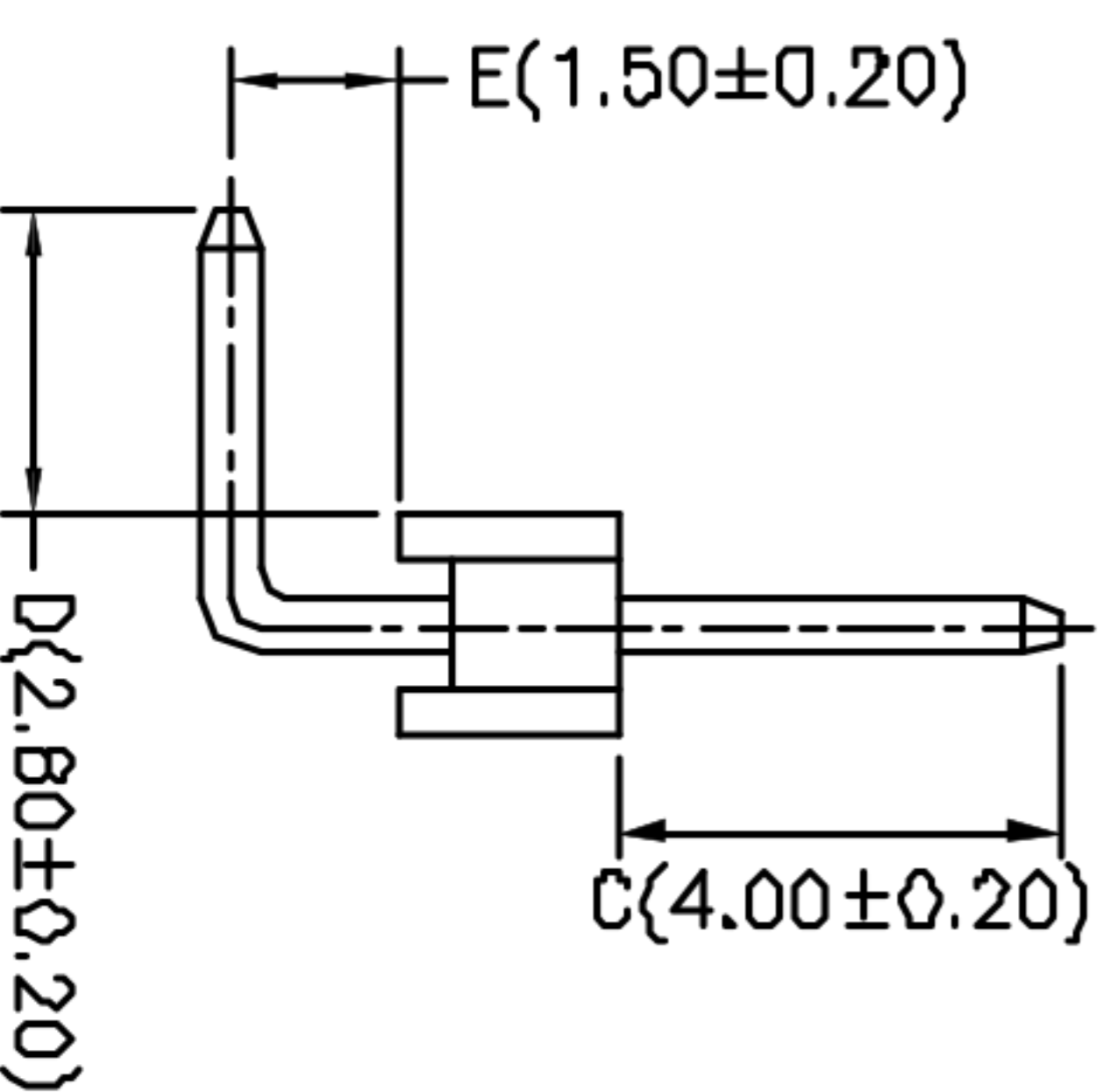
Ordering Information & Dimensions



PART NO.	Dimensions		PART NO.	Dimensions		PART NO.	Dimensions	
	A	B		A	B		A	B
02P	2.00	4.00	15P	28.00	30.00	28P	54.00	56.00
03P	4.00	6.00	16P	30.00	32.00	29P	56.00	58.00
04P	6.00	8.00	17P	32.00	34.00	30P	58.00	60.00
05P	8.00	10.00	18P	34.00	36.00	31P	60.00	62.00
06P	10.00	12.00	19P	36.00	38.00	32P	62.00	64.00
07P	12.00	14.00	20P	38.00	40.00	33P	64.00	66.00
08P	14.00	16.00	21P	40.00	42.00	34P	66.00	68.00
09P	16.00	18.00	22P	42.00	44.00	35P	68.00	70.00
10P	18.00	20.00	23P	44.00	46.00	36P	70.00	72.00
11P	20.00	22.00	24P	46.00	48.00	37P	72.00	74.00
12P	22.00	24.00	25P	48.00	50.00	38P	74.00	76.00
13P	24.00	26.00	26P	50.00	52.00	39P	76.00	78.00
14P	26.00	28.00	27P	52.00	54.00	40P	78.00	80.00



P.C.B LAYOUT



Optional Dim. available but MOQ requested

SPECIFICATIONS
 Current Rating: 2A AC,DC
 Voltage Rating: 250V AC,DC
 Temperature Range: -25°C ~ +85°C
 Contact Resistance: 20mΩ Max.
 Insulation Resistance: 1000MΩ Min.
 Withstanding Voltage: 1000V AC/minute
 Pin Material: Brass/Gold-flash
 Material: PBT30%GF,UL94V-0
 Color: Natural(Black)

ECN NO.	REV.	DATE.	DESCRIPTION.	CHANGE.	CHECK.	APPRO.
	A		NEW			

APPROVALS		DATE	TITLE:	
DRAWN	ZHIWEI.CHEN	2015.07.07	2.00mm Crimp Style Connector	
CHECKED			PART NO.	GP26-2020WR-NP
APPROVALS			UNIT: mm	SCALE: 1:1
TOLERANCES ARE		ANGLE	DRAWING NO.	PROJ. SHEET
30 ^{±0.30}	10 ^{±0.20}	±2°		1 OF 1
5 ^{±0.15}	~ 5 ^{±0.10}			



深圳市联丰电子有限公司
 SHENZHEN LINBENYING ELECTRONIC CO.,LTD