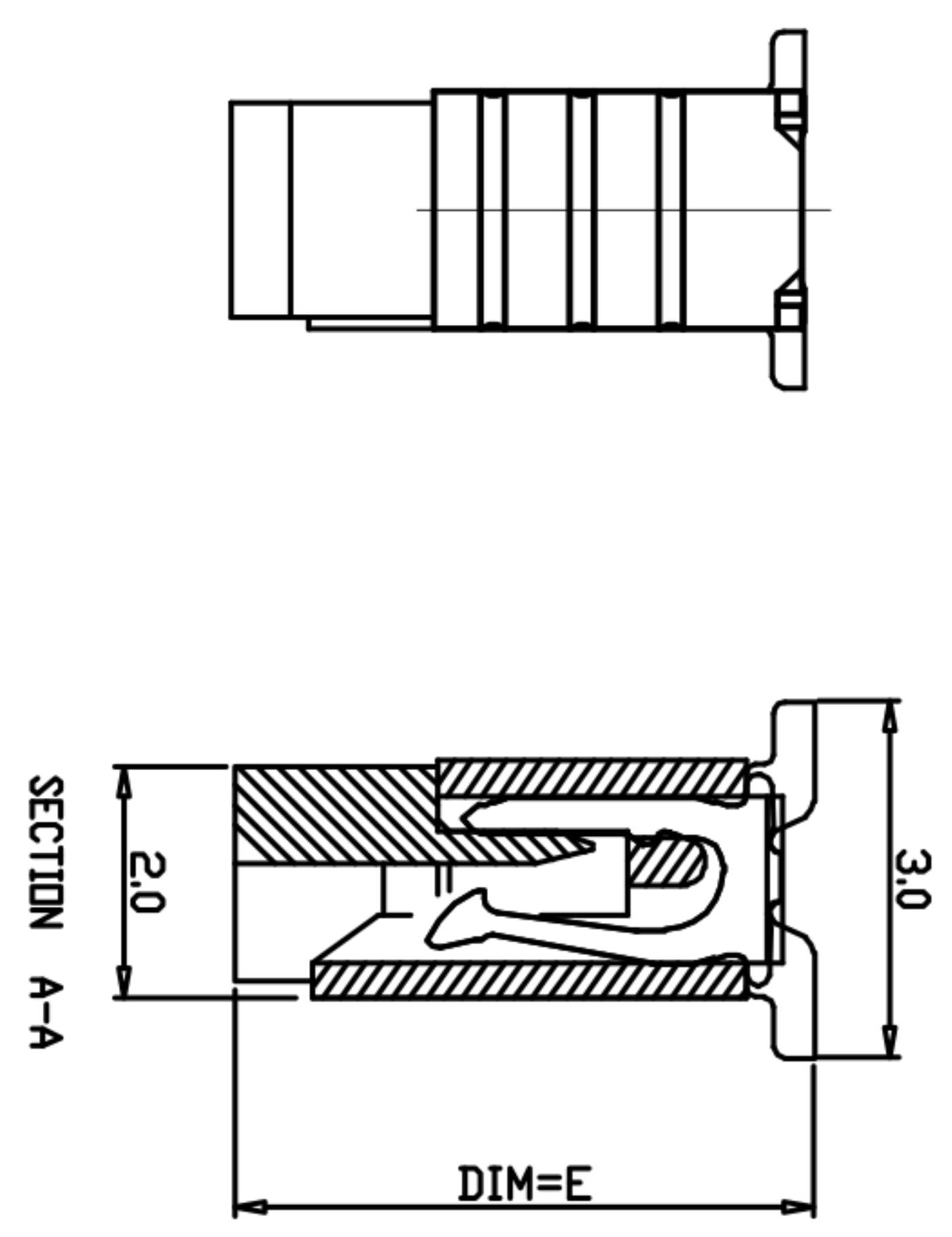
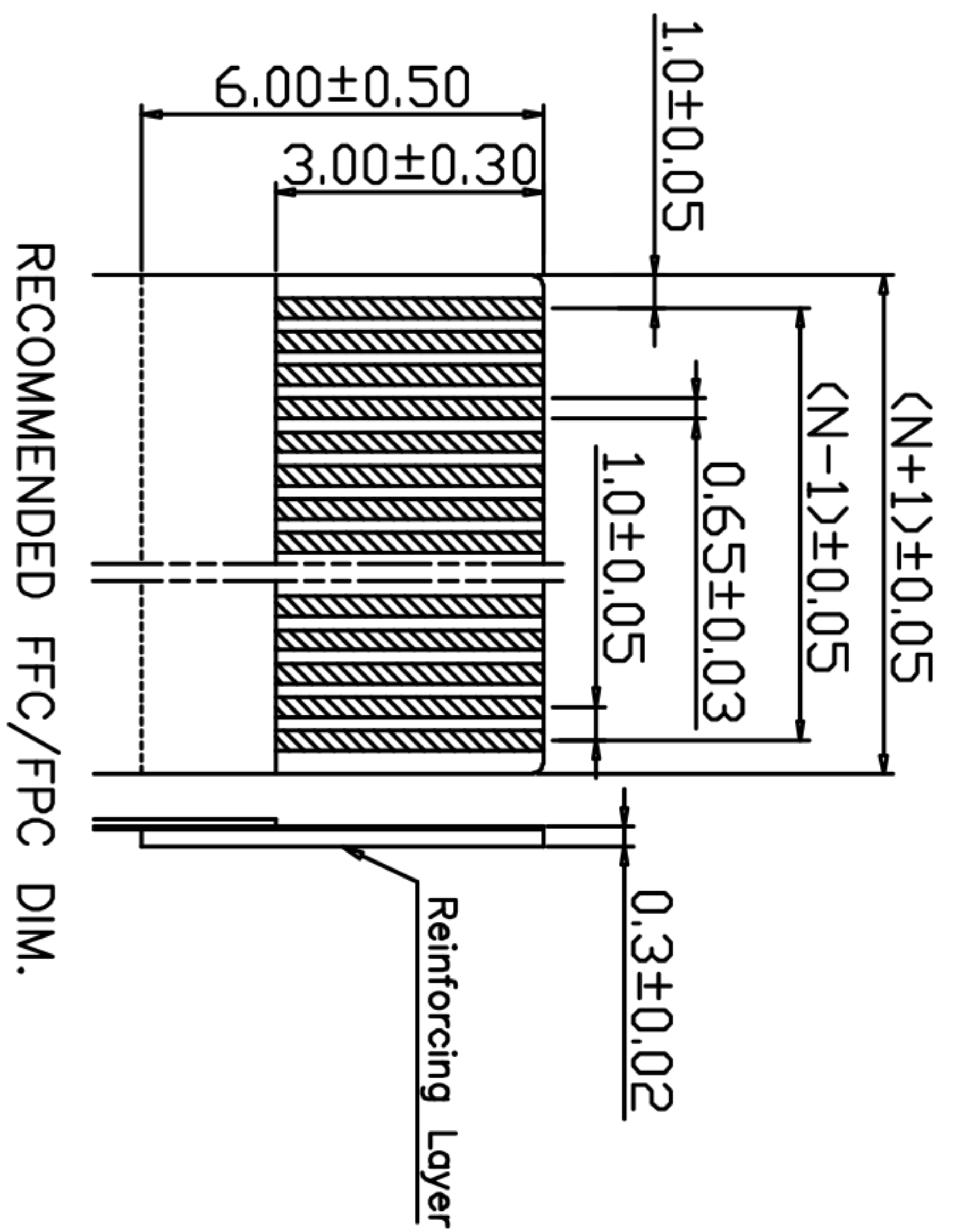


| PIN数 | DIM-A | DIM-B | DIM-C | DIM-D | DIM-E |
|------|-------|-------|-------|-------|-------|
| 29P | 35.1 | 34.0 | 28.00 | 30.10 | |
| 28P | 34.1 | 33.0 | 27.00 | 29.10 | |
| 27P | 33.1 | 32.0 | 26.00 | 28.10 | |
| 26P | 32.1 | 31.0 | 25.00 | 27.10 | |
| 25P | 31.1 | 30.0 | 24.00 | 26.10 | |
| 24P | 30.1 | 29.0 | 23.00 | 25.10 | |
| 23P | 29.1 | 28.0 | 22.00 | 24.10 | |
| 22P | 28.1 | 27.0 | 21.00 | 23.10 | |
| 21P | 27.1 | 26.0 | 20.00 | 22.10 | |
| 20P | 26.1 | 25.0 | 19.00 | 21.10 | |
| 19P | 25.1 | 24.0 | 18.00 | 20.10 | |
| 18P | 24.1 | 23.0 | 17.00 | 19.10 | |
| 17P | 23.1 | 22.0 | 16.00 | 18.10 | |
| 16P | 22.1 | 21.0 | 15.00 | 17.10 | |
| 15P | 21.1 | 20.0 | 14.00 | 16.10 | |
| 14P | 20.1 | 19.0 | 13.00 | 15.10 | |
| 13P | 19.1 | 18.0 | 12.00 | 14.10 | |
| 12P | 18.1 | 17.0 | 11.00 | 13.10 | |
| 11P | 17.1 | 16.0 | 10.00 | 12.10 | |
| 10P | 16.1 | 15.0 | 9.00 | 11.10 | 4.4 |
| 9P | 15.1 | 14.0 | 8.00 | 10.10 | |
| 8P | 14.1 | 13.0 | 7.00 | 9.10 | |
| 7P | 13.1 | 12.0 | 6.00 | 8.10 | |
| 6P | 12.1 | 11.0 | 5.00 | 7.10 | |
| 5P | 11.1 | 10.0 | 4.00 | 6.10 | |
| 4P | 10.1 | 9.0 | 3.00 | 5.10 | |



Material Description:
Terminal: Phosphor Bronze Tin-Leadplated
Fitting Nail: Brass Tin-plated
Housing: Thermoplastic(UL94V-0)
Slider: Thermoplastic(UL94V-0)

| | | | |
|---------|--------|--------|--------------|
| ECN NO. | REV. | DATE. | DESCRIPTION. |
| | A | | NEW |
| CHANGE. | CHECK. | APPRO. | |

| | | | | |
|----------------|-------------|------------|----------------------|--------------|
| APPROVALS | | DATE | TITLE: | |
| DRAWN | ZHIWEI.CHEN | 2015.07.07 | GP10-LSLN-XP-G-Z/F01 | |
| CHECKED | | | SCALE: 1:1 | |
| APPROVALS | | | PROJ: | |
| TOLERANCES ARE | | ANGLE | UNIT: mm | SHEET 1 OF 1 |
| 30~以上 | ±0.30 | ±2° | | |
| 10~30 | ±0.20 | | | |
| 5~10 | ±0.15 | | | |
| ~5 | ±0.10 | | | |

深圳市联丰电子有限公司
SHENZHEN LINFENG ELECTRONIC CO.,LTD