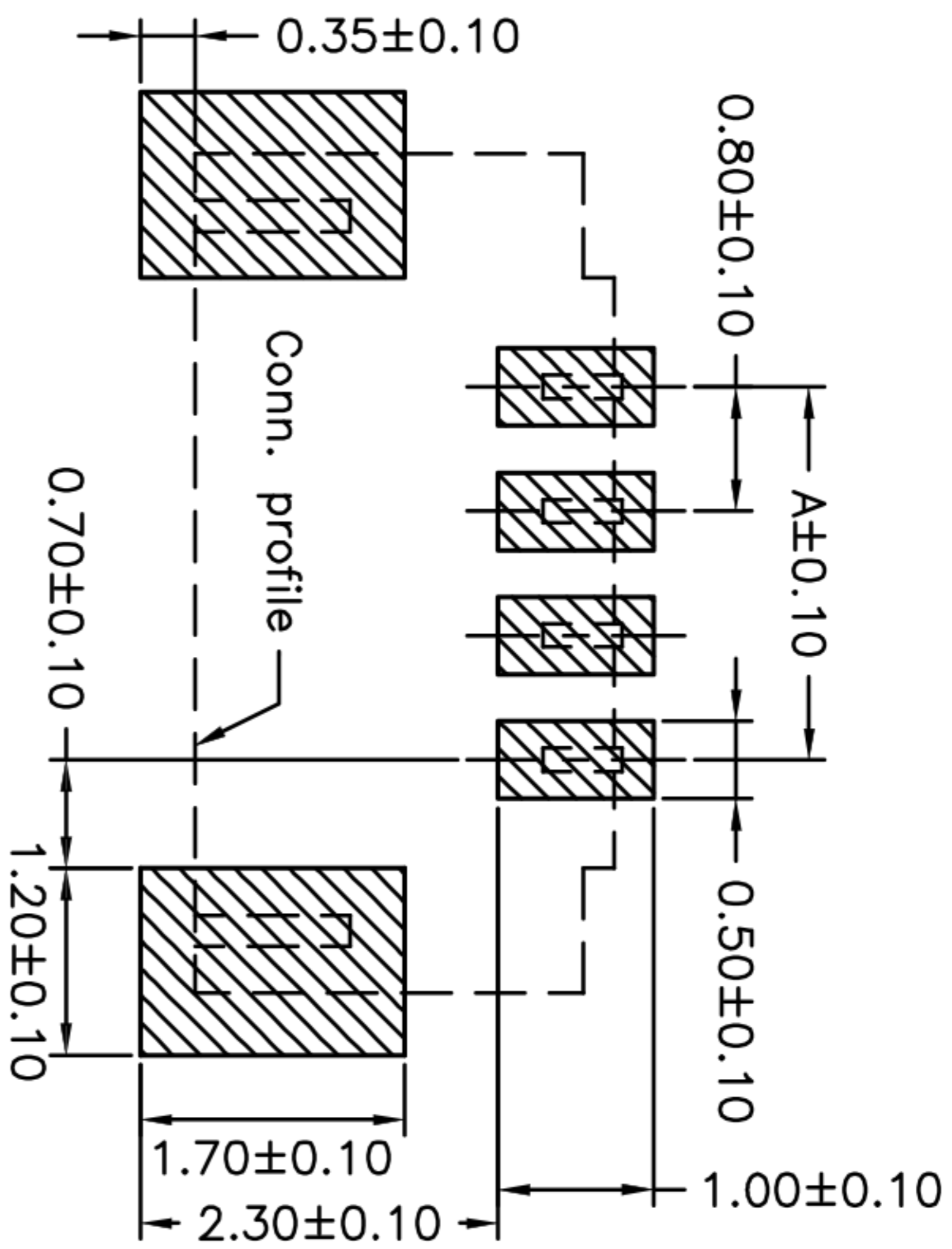
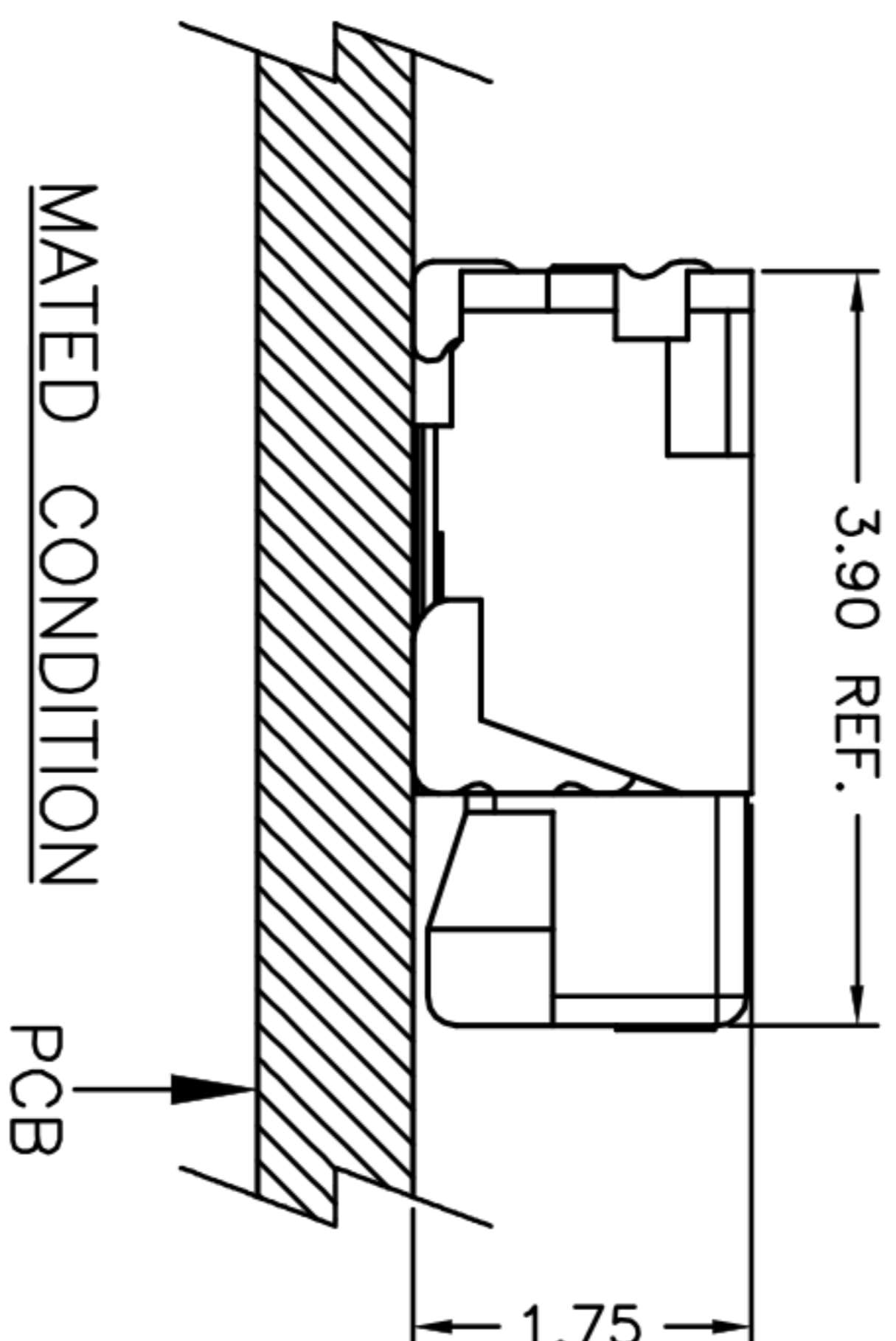
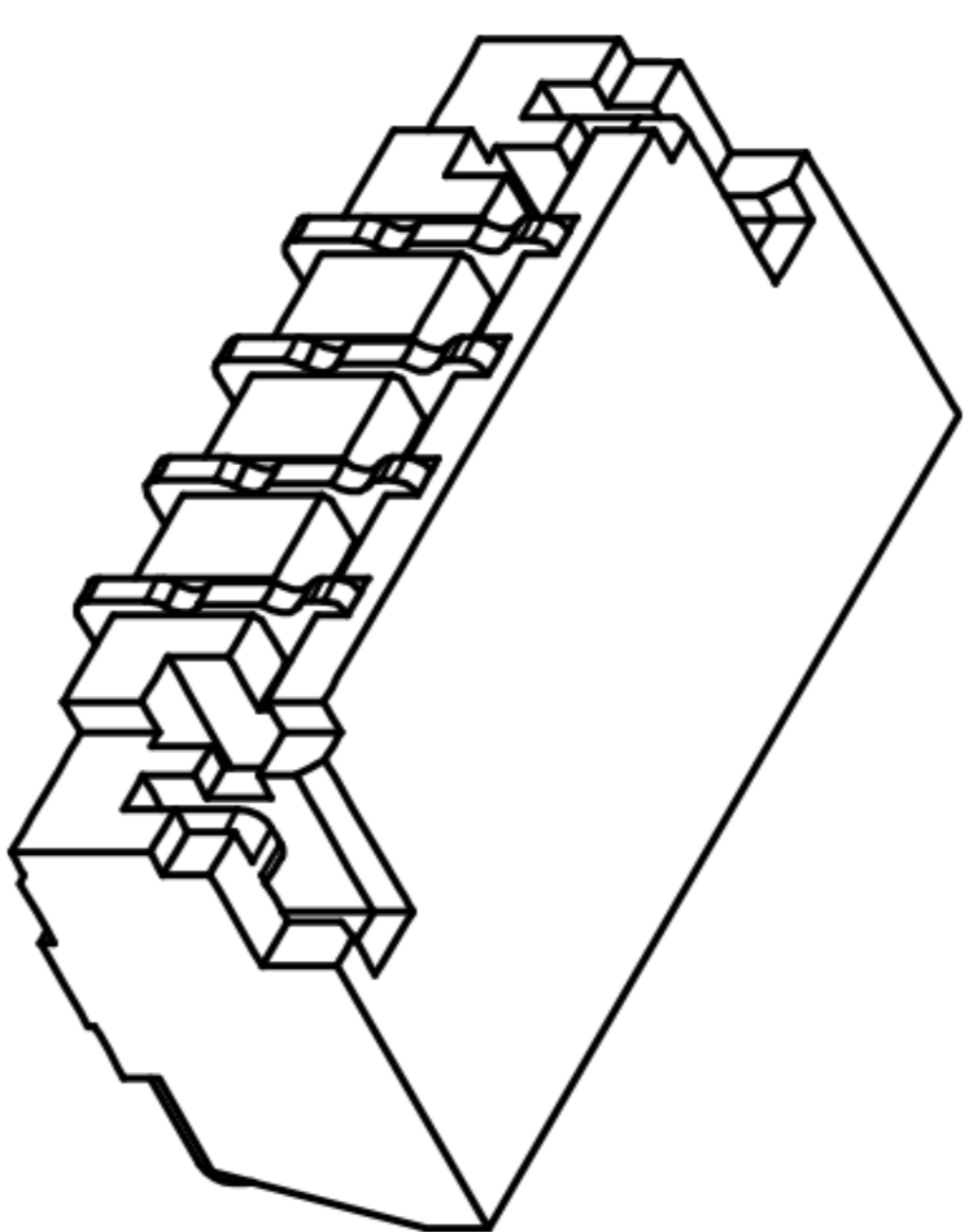
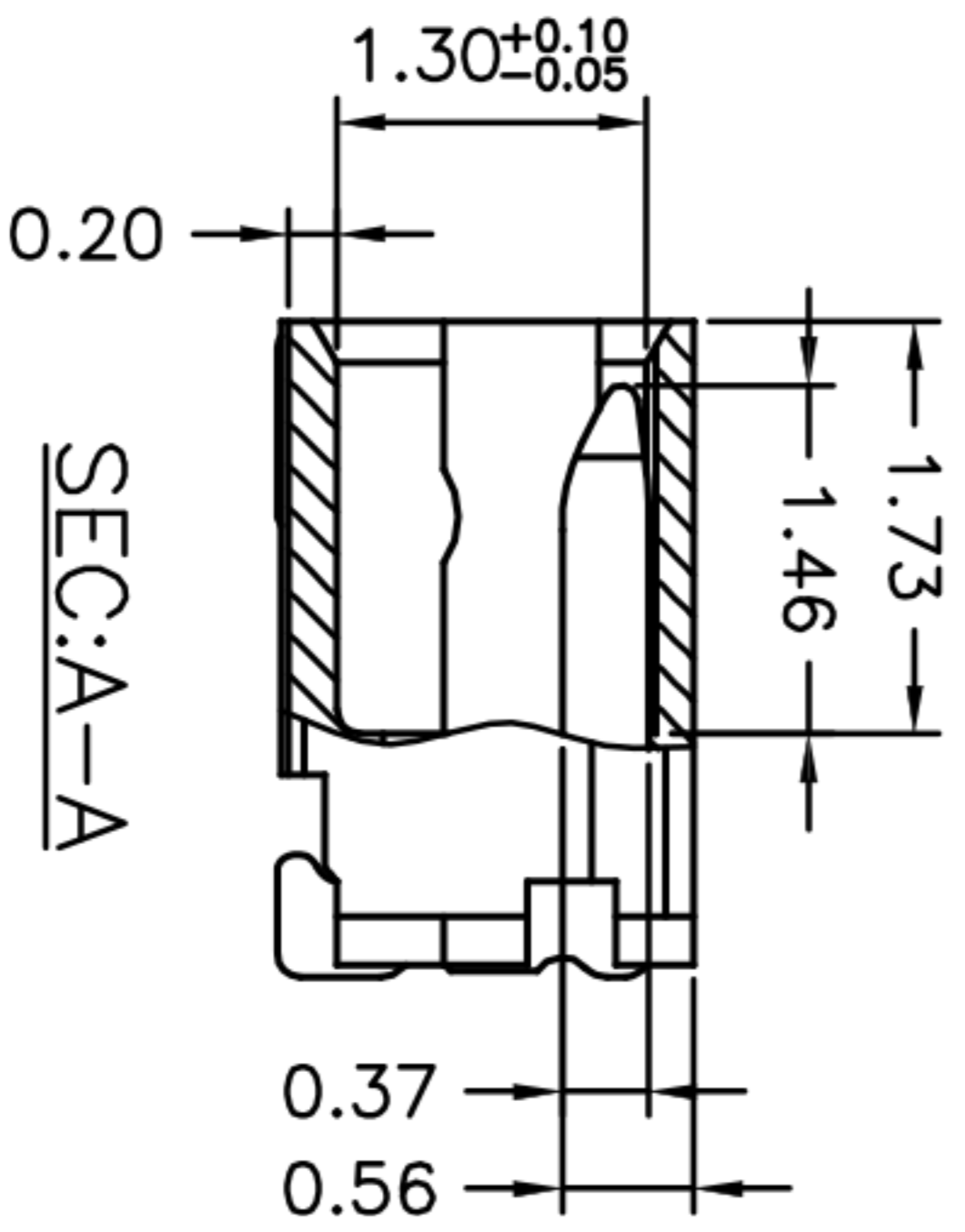
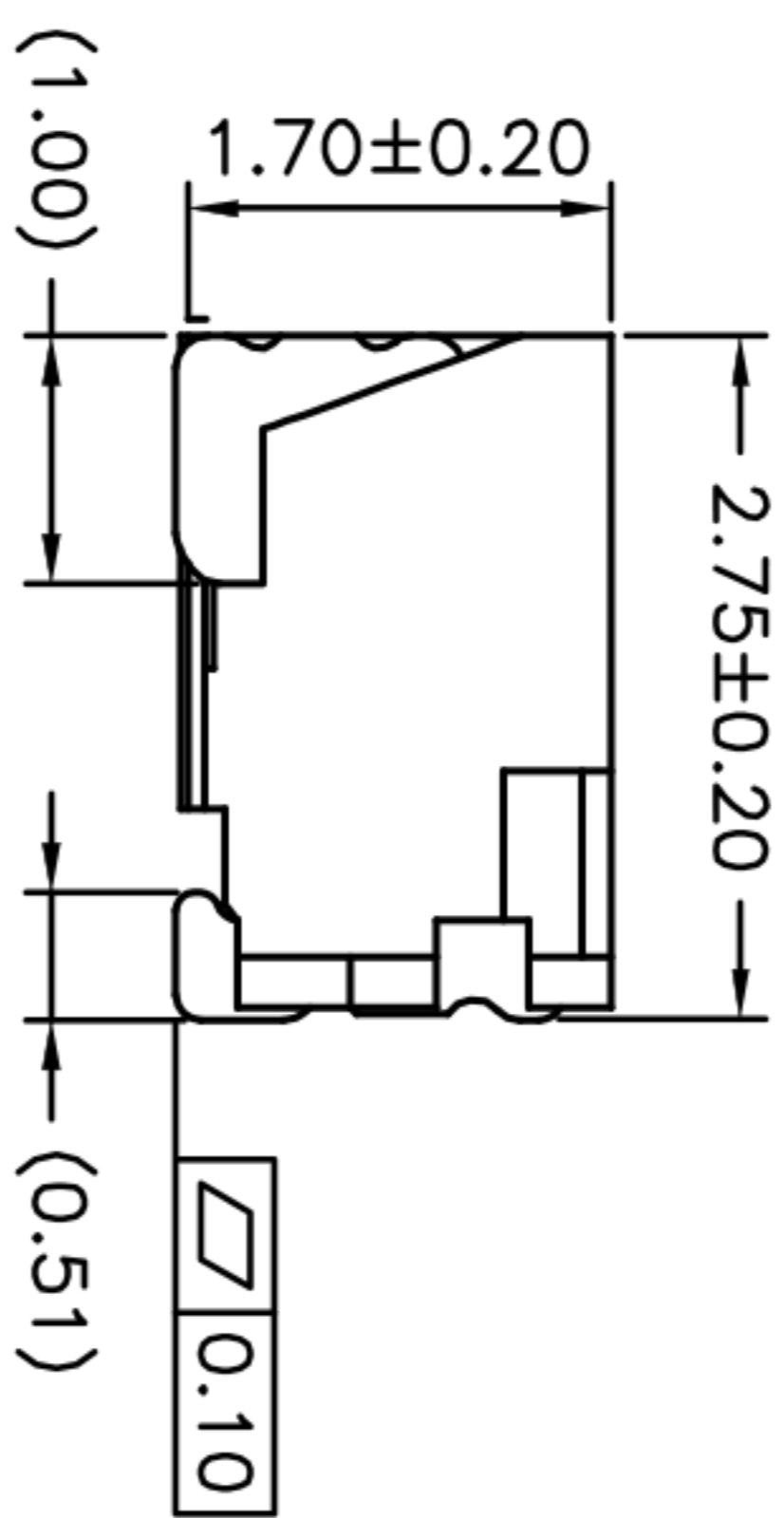
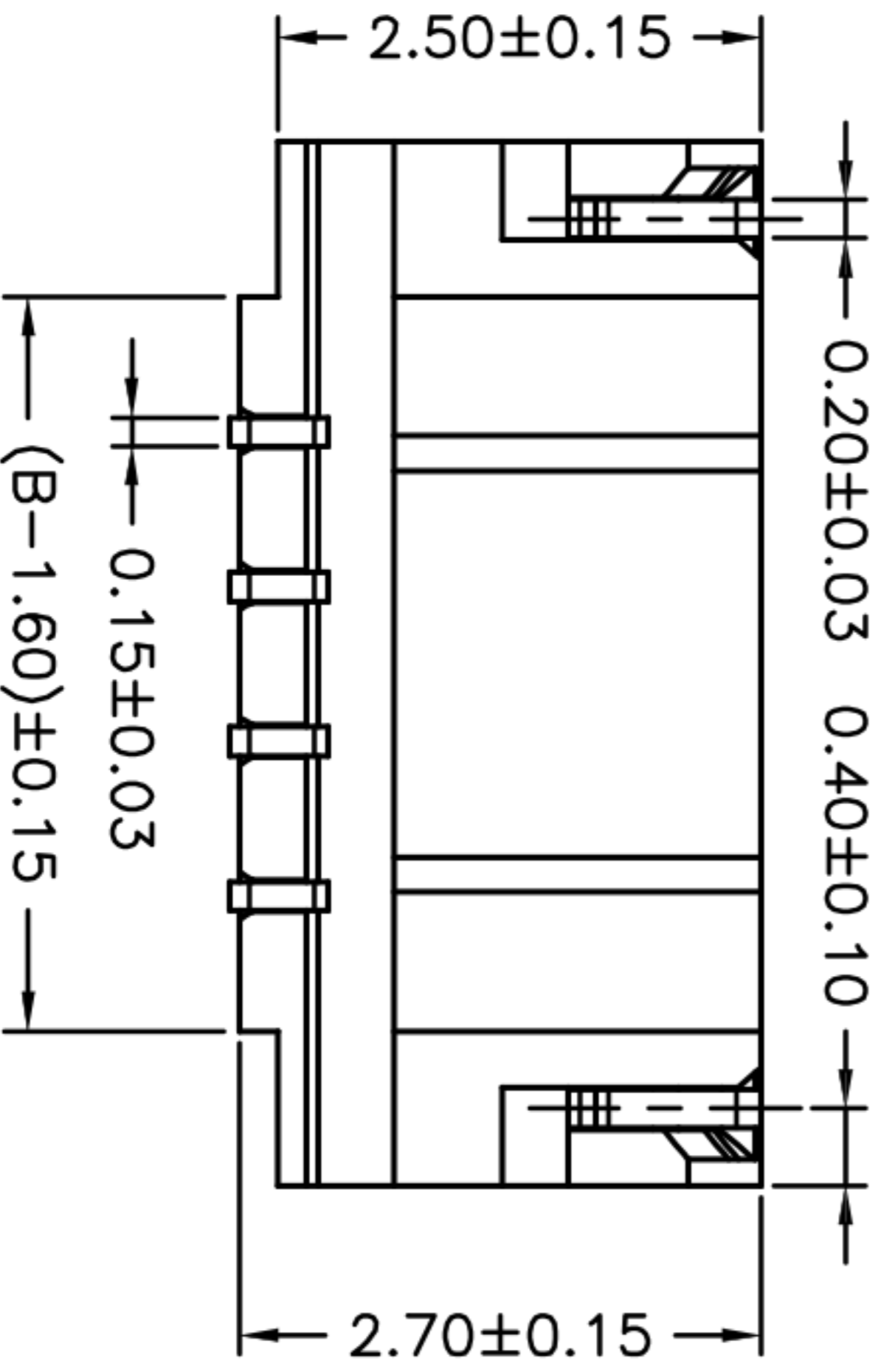
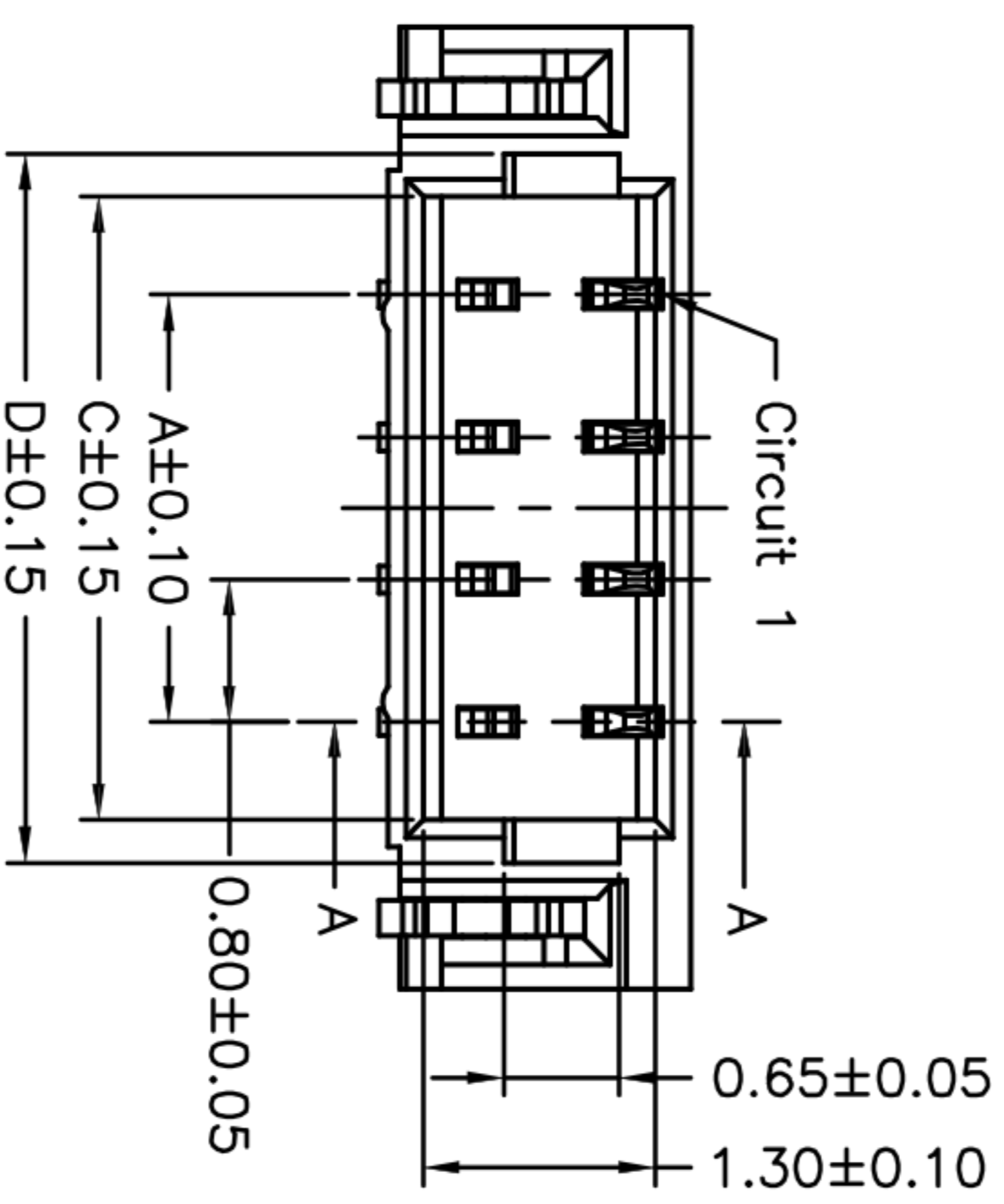


(TOP VIEW)



P.C.B. LAYOUT
(TOP VIEW)



SPECIFICATIONS
 Current Rating: 0.5A AC,DC
 Voltage Rating: 30V AC,DC
 Temperature Range: -25°C ~ +85°C
 Contact Resistance: 20mΩ Max.
 Insulation Resistance: 100MΩ Min.
 Withstanding Voltage: 200V AC/minute
 Pin Material: Phosphor Bronze
 Solder Tabs: Phosphor Bronze

Circuit No.	Dimensions			
	A	B	C	D
02P	0.80	3.80	1.90	2.38
03P	1.60	4.60	2.70	3.18
04P	2.40	5.40	3.50	3.98
05P	3.20	6.20	4.30	4.78
06P	4.00	7.00	5.10	5.58
07P	4.80	7.80	5.90	6.38
08P	5.60	8.60	6.70	7.18
10P	7.20	10.20	8.30	8.78
12P	8.80	11.80	9.90	10.38
14P	10.40	13.40	11.50	11.98
15P	11.20	14.20	12.30	12.78
16P	12.00	15.00	13.10	13.58
17P	12.80	15.80	13.90	14.38
18P	13.60	16.60	14.70	15.18
20P	15.20	18.20	16.30	16.78

ECN NO.	REV.	DATE.	DESCRIPTION.	CHANGE.	CHECK.	APPRO.
	A		NEW			

APPROVALS		DATE	TITLE:	
DRAWN	ZHIWEI.CHEN	2015.07.07	0.80mm Crimp Style Connector	
CHECKED			PART NO. GP01-0800WRS-NP	
APPROVALS			SCALE: 1:1	
TOLERANCES ARE		ANGLE	UNIT: mm	PROJ.
30~以上	±0.30			
10~30	±0.20			
5~10	±0.15			
~ 5	±0.10	±2'	DRAWING NO.	SHEET 1 OF 1

深圳市联丰电子有限公司
 SHENZHEN LIANFENG ELECTRONIC CO.,LTD