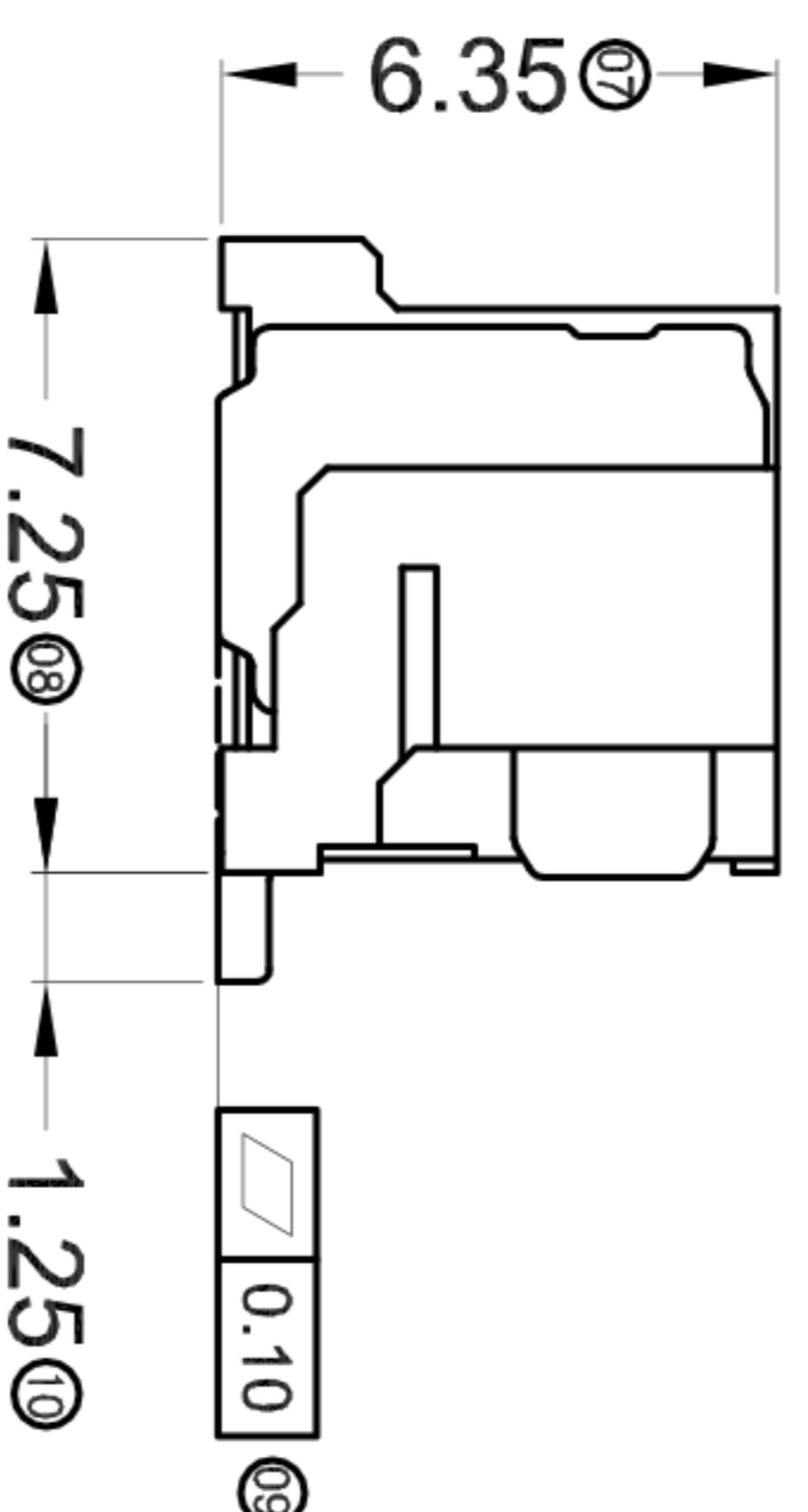
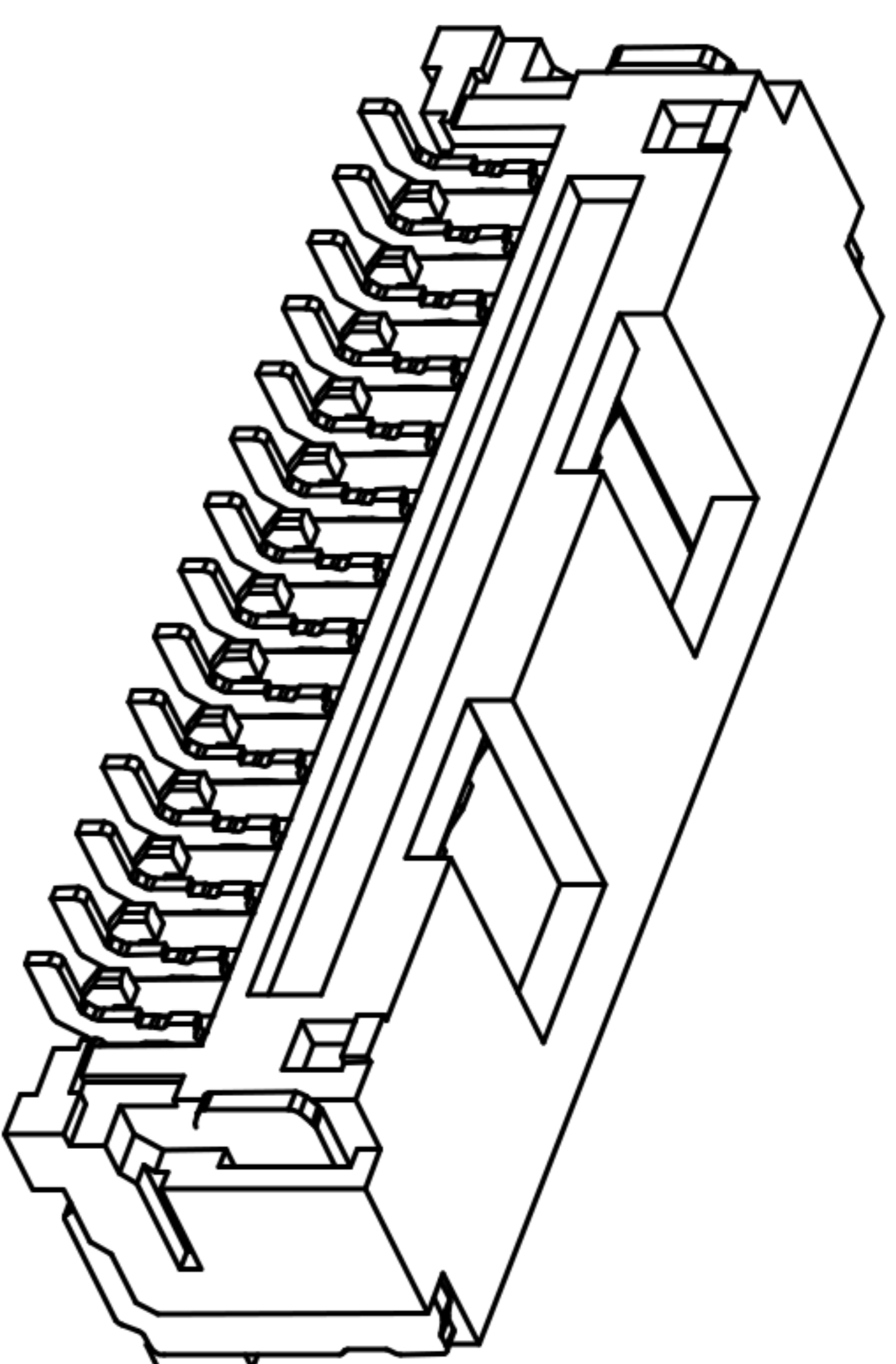
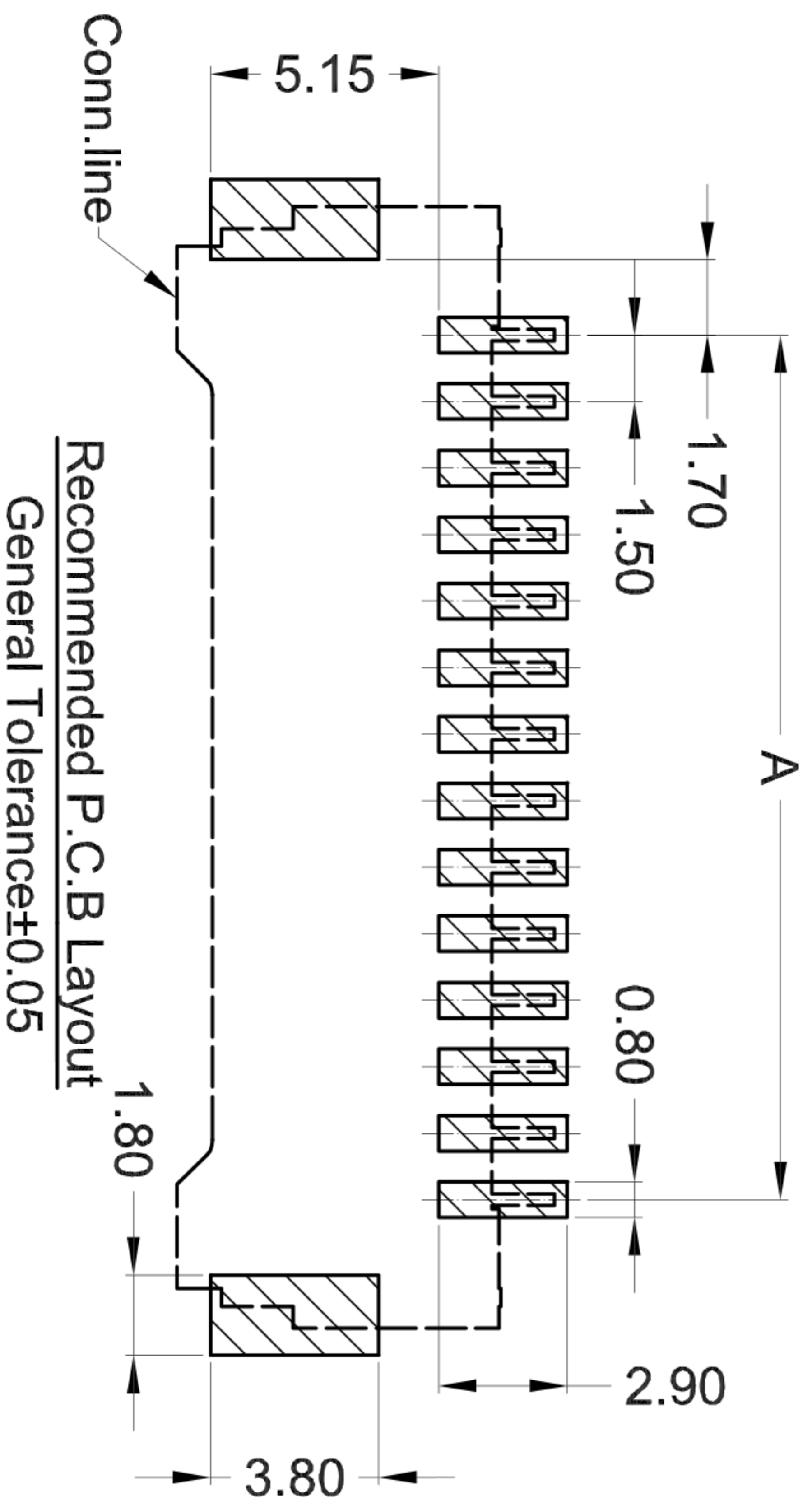
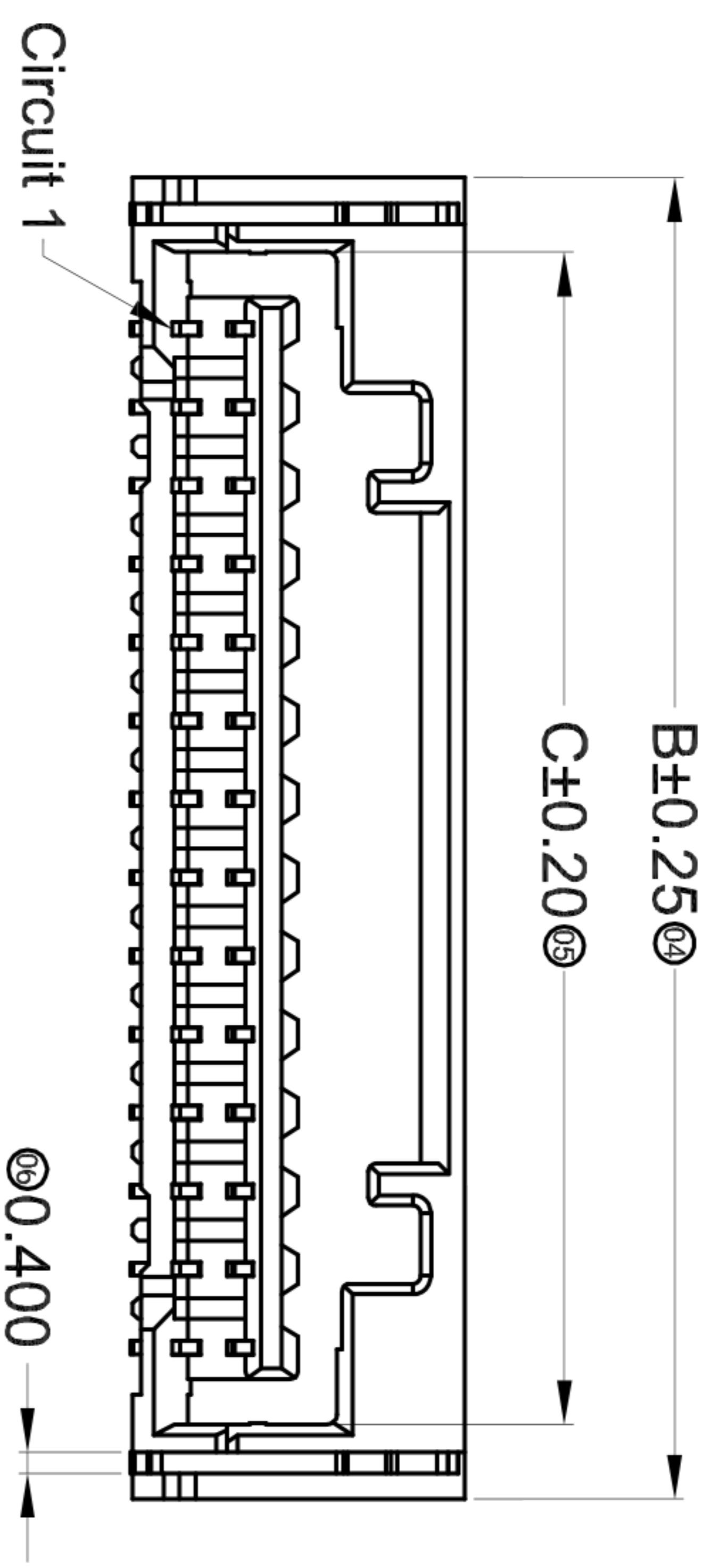
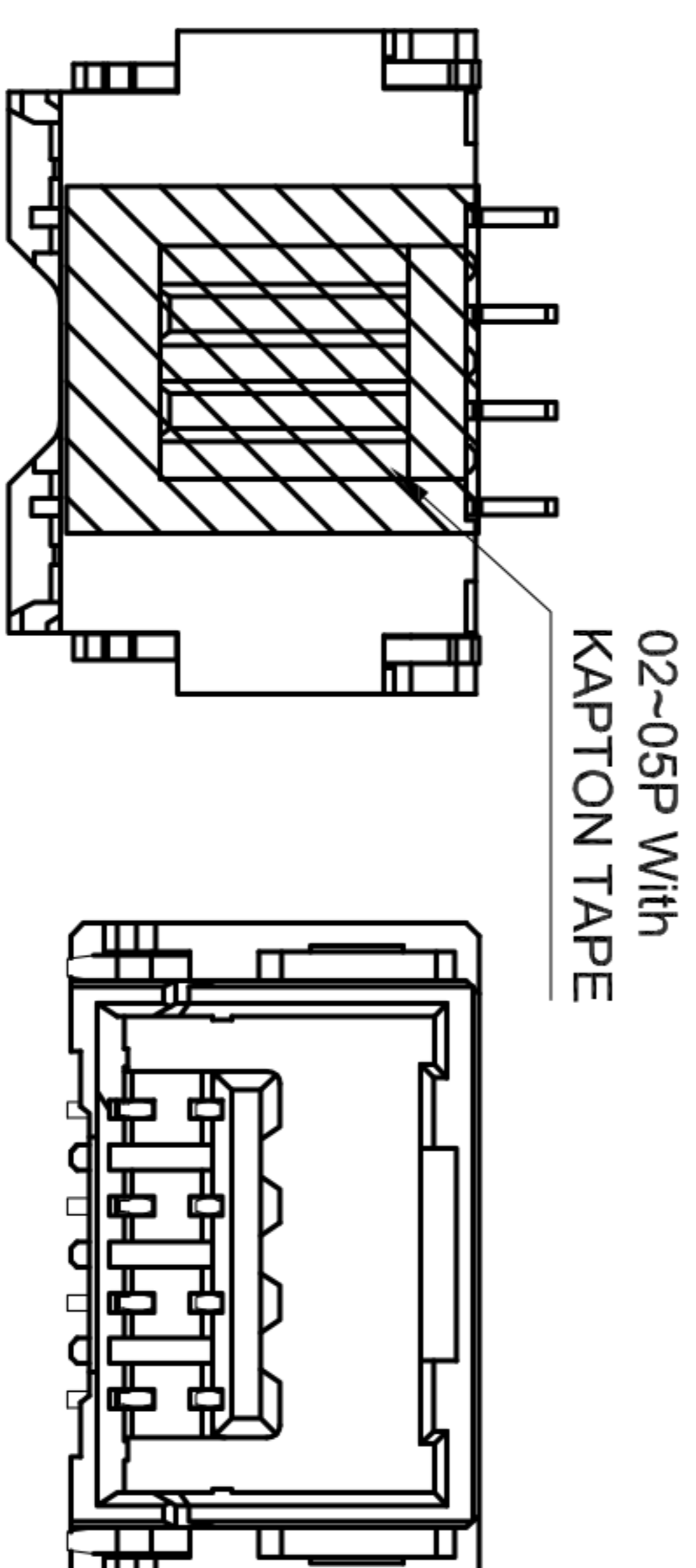


06P-15P Double Hole
Scale 1:1



02P-05P Single Hole
Scale 1:1



- Specifications :
- Voltage rating: 100V AC / DC
 - Current rating: 2A AC / DC
 - Withstanding voltage: 500V AC/minute
 - Temperature range: -40°C~+85°C
 - Insulation resistance: ≥500MΩ
 - Contact resistance: ≤20mΩ
 - After environmental testing: ≤40mΩ

Category: W-wafer
Welding Board Angle: R- Right angle 90°
Welding Way: S-SMT
Row No.-Pin No.: XX-02P~15P
Plug the Pin & Special No.:
Material: LP-LCP 94V-0;
Planting Category: SW- Matte Tin Plating
Color: Blank-Natural Color

Poles	Dimensions (mm)		
	A	B	C
02	1.50	7.30	4.45
03	3.00	8.80	5.95
04	4.50	10.30	7.45
05	6.00	11.80	8.95
06	7.50	13.30	10.45
07	9.00	14.80	11.95
08	10.50	16.30	13.45
09	12.00	17.80	14.95
10	13.50	19.30	16.45
11	15.00	20.80	17.95
12	16.50	22.30	19.45
13	18.00	23.80	20.95
14	19.50	25.30	22.45
15	21.00	26.80	23.95

ECN NO.	REV.	DATE.	DESCRIPTION.
	A		NEW
CHANGE.	CHECK.	APPRO.	

APPROVALS		DATE	TITLE:	
DRAWN	ZHIWEI.CHEN	2015.07.07	PART NO. GP01-1515WRS-NP	
CHECKED			SCALE: 1:1	
APPROVALS			PROJ. SHEET 1 OF 1	
TOLERANCES ARE		ANGLE	DRAWING NO.	
30~以上	±0.30	±2°		
10~30	±0.20			
5~10	±0.15			
~5	±0.10			



深圳市联丰电子有限公司
SHENZHEN LIANFENG ELECTRONIC CO.,LTD