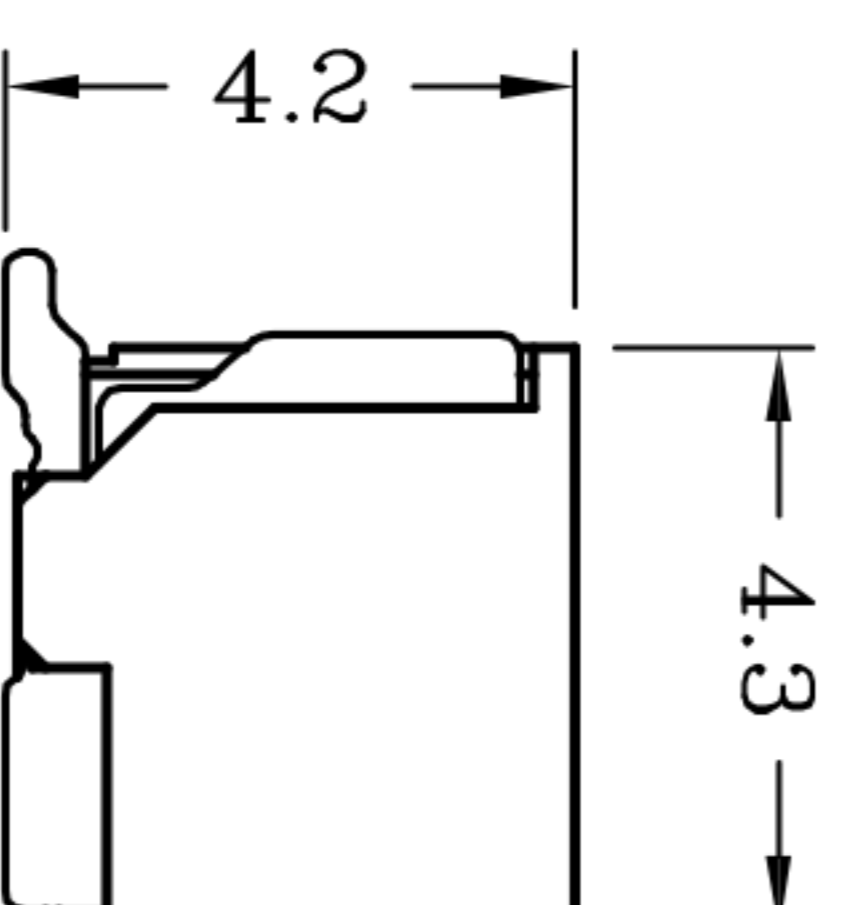
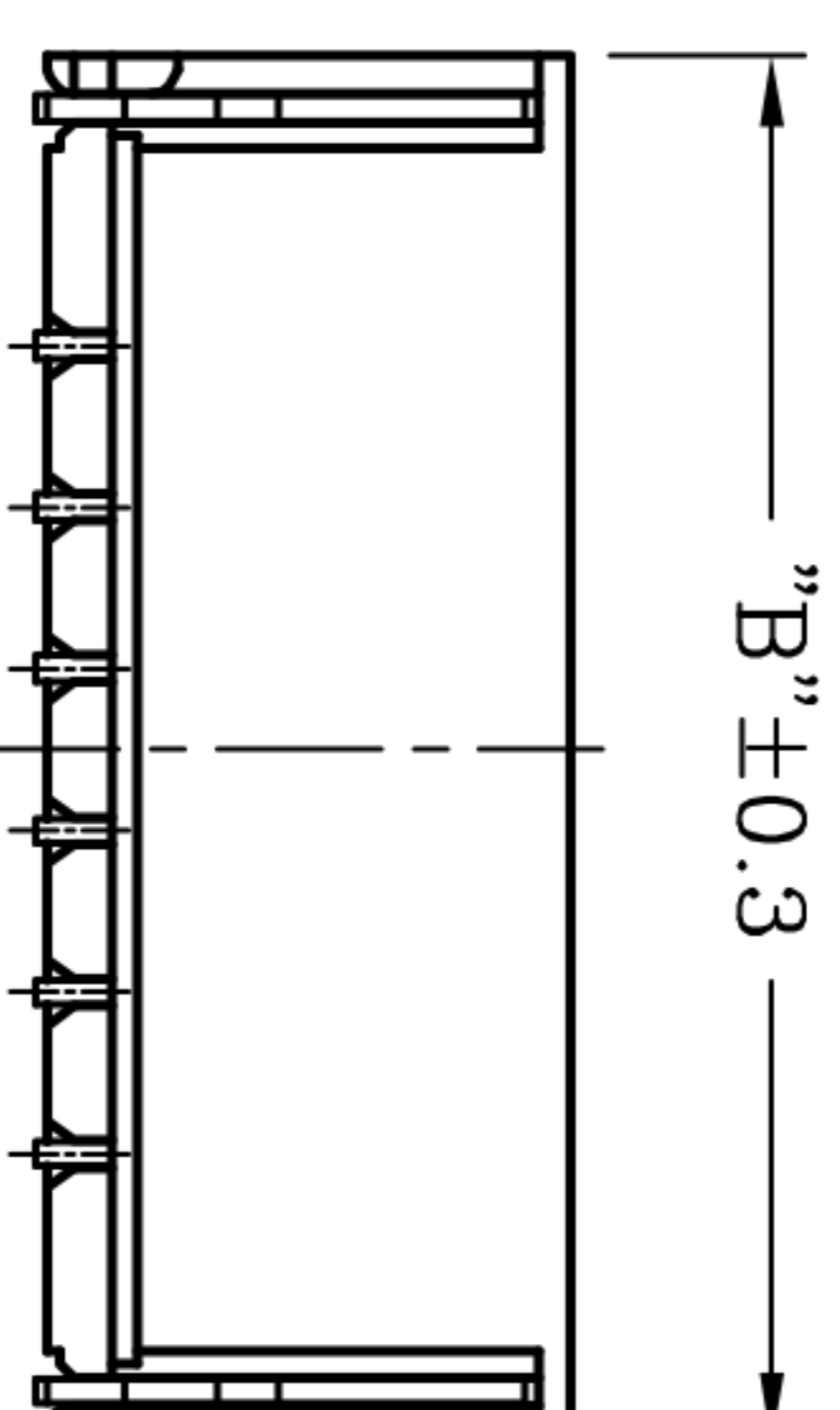
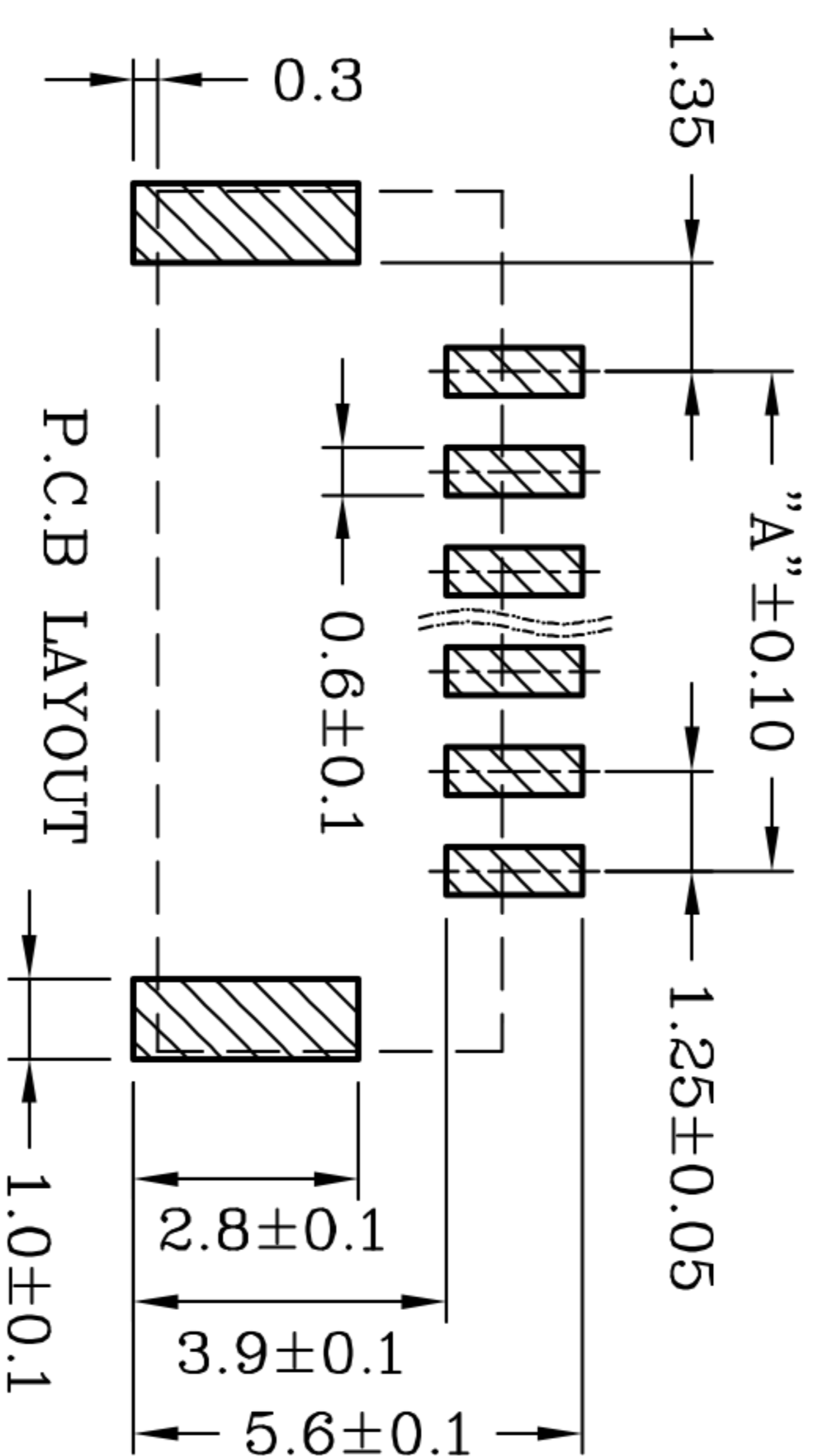
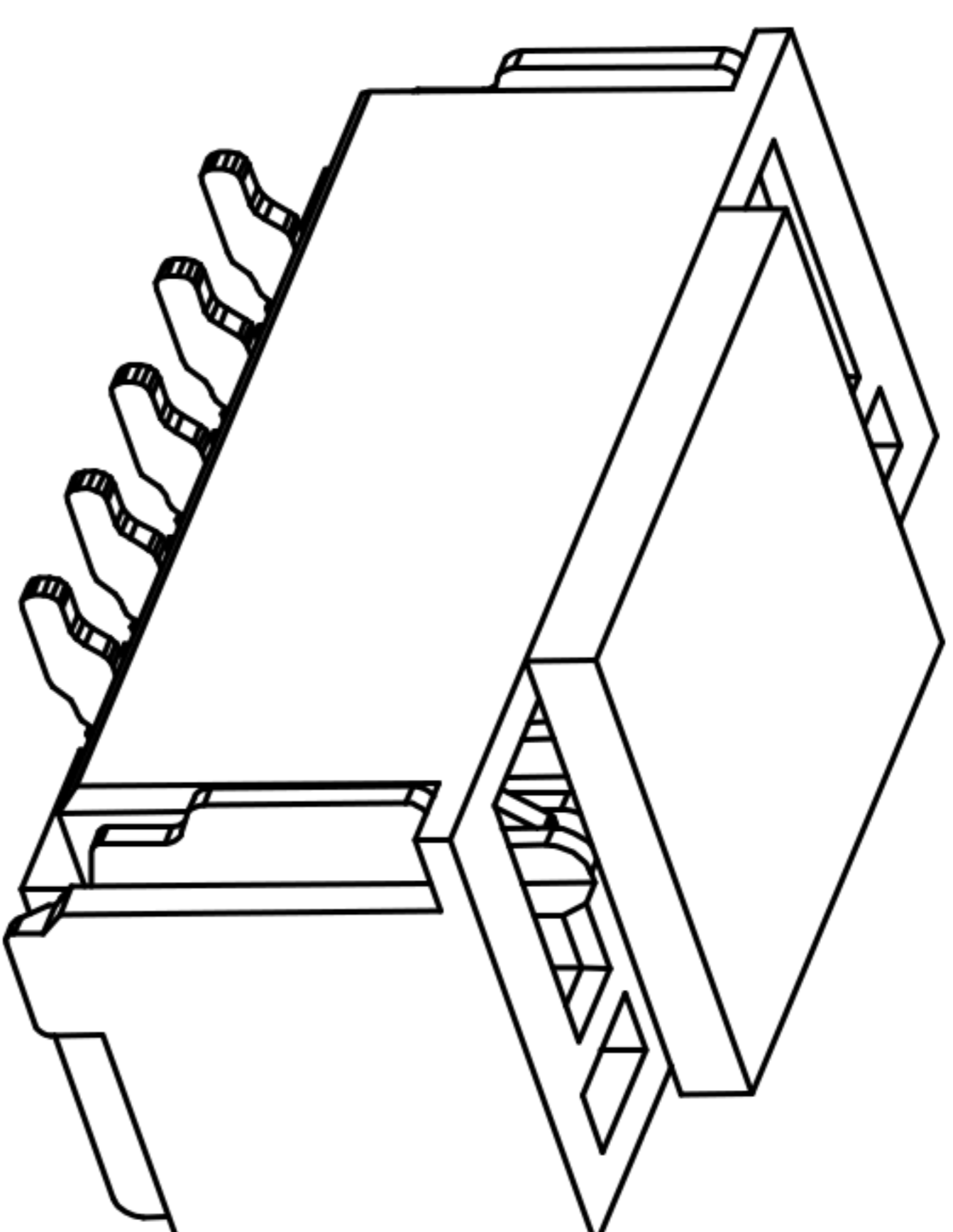
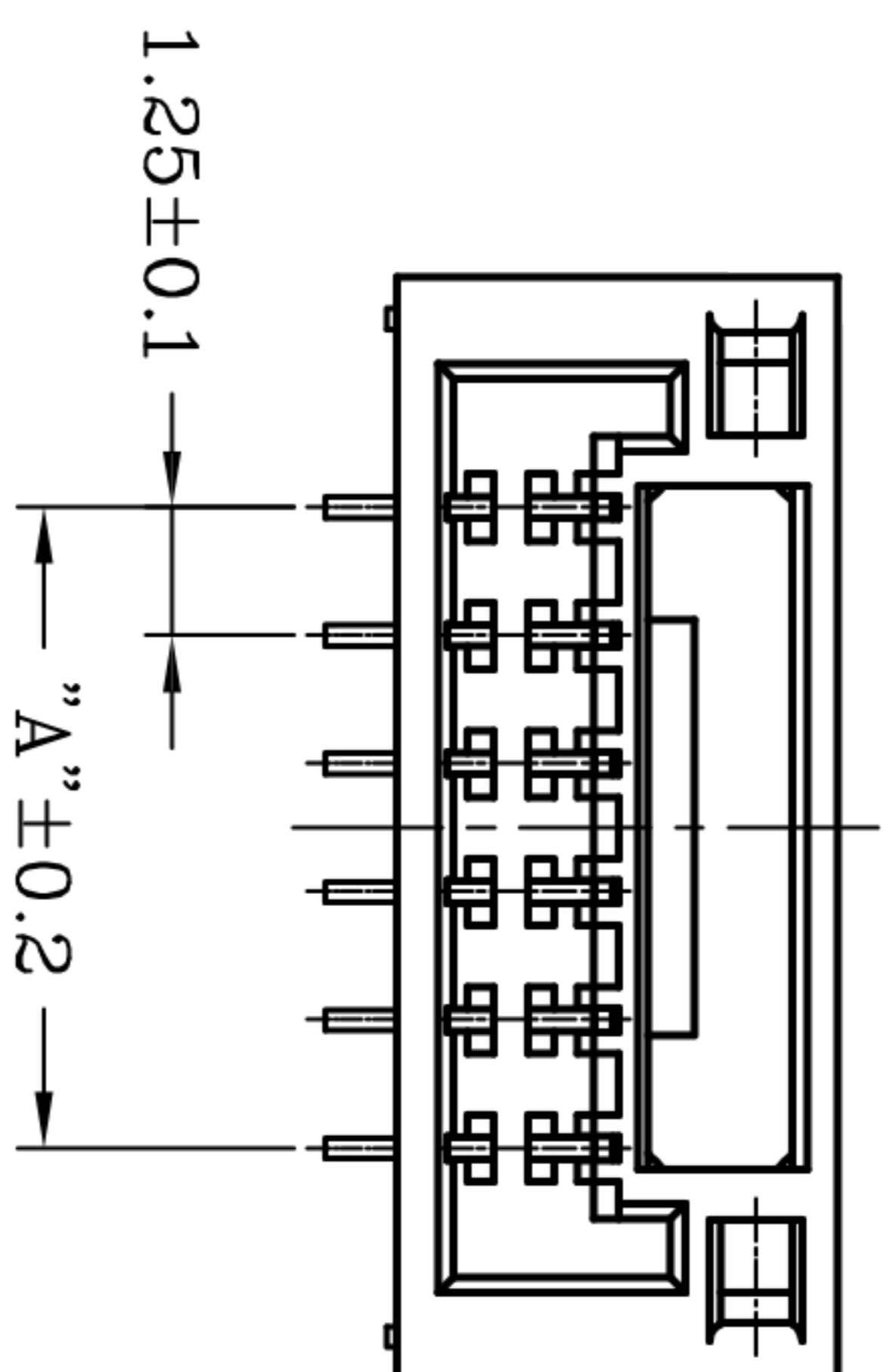


Poles	DIM.A	DIM.B
2P	1.25	5.75
3P	2.50	7.00
4P	3.75	8.25
5P	5.00	9.50
6P	6.25	10.75
7P	7.50	12.00
8P	8.75	13.25
9P	10.00	14.50
10P	11.25	15.75
11P	12.50	17.00
12P	13.75	18.25
13P	15.00	19.50
14P	16.25	20.75
15P	17.50	22.00



■ 技术参数 SPECIFICATIONS

- ◆ 适用线规: AWG.#26~#30
- ◆ Applicable Wire: AWG.#26~#30
- ◆ 额定电压: 50V DC/AC(rms)
- ◆ Rated voltage: 50V DC/AC(rms)
- ◆ 额定电流: 1A (AWG.#26)
- ◆ Rated Current: 1A (AWG.#26)
- ◆ 耐压值: 100V AC/minute
- ◆ Withstand voltage: 100V AC/min.
- ◆ 工作温度: $-25^{\circ}\text{C} \sim +85^{\circ}\text{C}$
- ◆ Working Temp : $-25^{\circ}\text{C} \sim +85^{\circ}\text{C}$
- ◆ 绝缘电阻: $\geq 100 \text{ M}\Omega$
- ◆ Insulation resistance: $\geq 100 \text{ M}\Omega$
- ◆ 接触电阻: $\leq 30 \text{ m}\Omega$
- ◆ Contact resistance: $\leq 30 \text{ m}\Omega$

■ 材料 MATERIAL

- ◆ 绝缘体: 尼龙9T, UL94-V0
- ◆ Insulator: PA9T, UL94-V0
- ◆ 接触针: 磷铜
- ◆ Contact PIN: Phosphor Bronze
- ◆ 焊片: 磷铜
- ◆ Solder tab: Phosphor Bronze

ECN NO.	REV.	DATE.	DESCRIPTION.	CHANGE.	CHECK.	APPRO.
	A		NEW			

APPROVALS		DATE	TITLE:
DRAWN	ZHIWEI.CHEN	2015.07.07	
CHECKED			PART NO.
APPROVALS			UNIT: mm
TOLERANCES ARE			SCALE: 1:1
30~以上	±0.30	ANGLE	PROJ.
10~30	±0.20	±2'	DRAWING NO.
5~10	±0.15		SHEET 1 OF 1
~ 5	±0.10		



深圳市联丰电子有限公司
SHENZHEN LINFENG ELECTRONIC CO.,LTD

GP01-1251WVS-NP