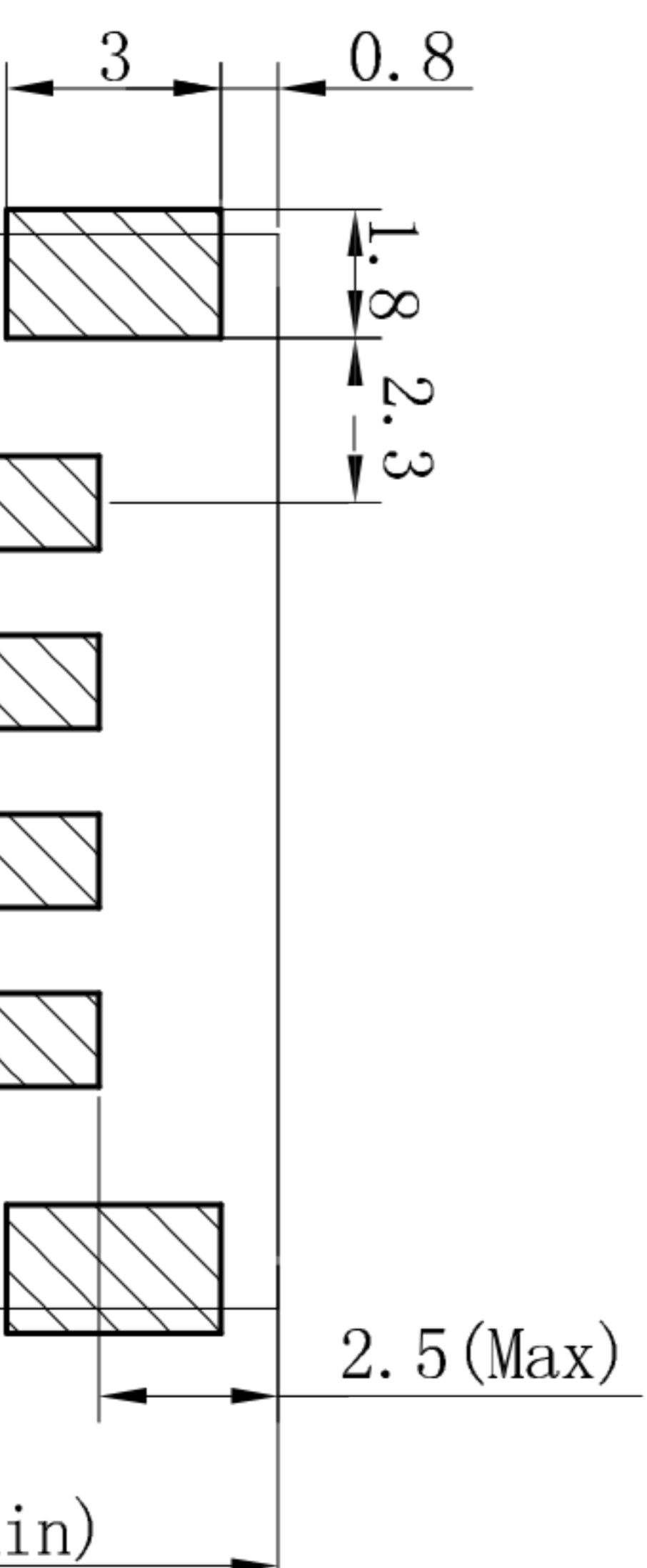
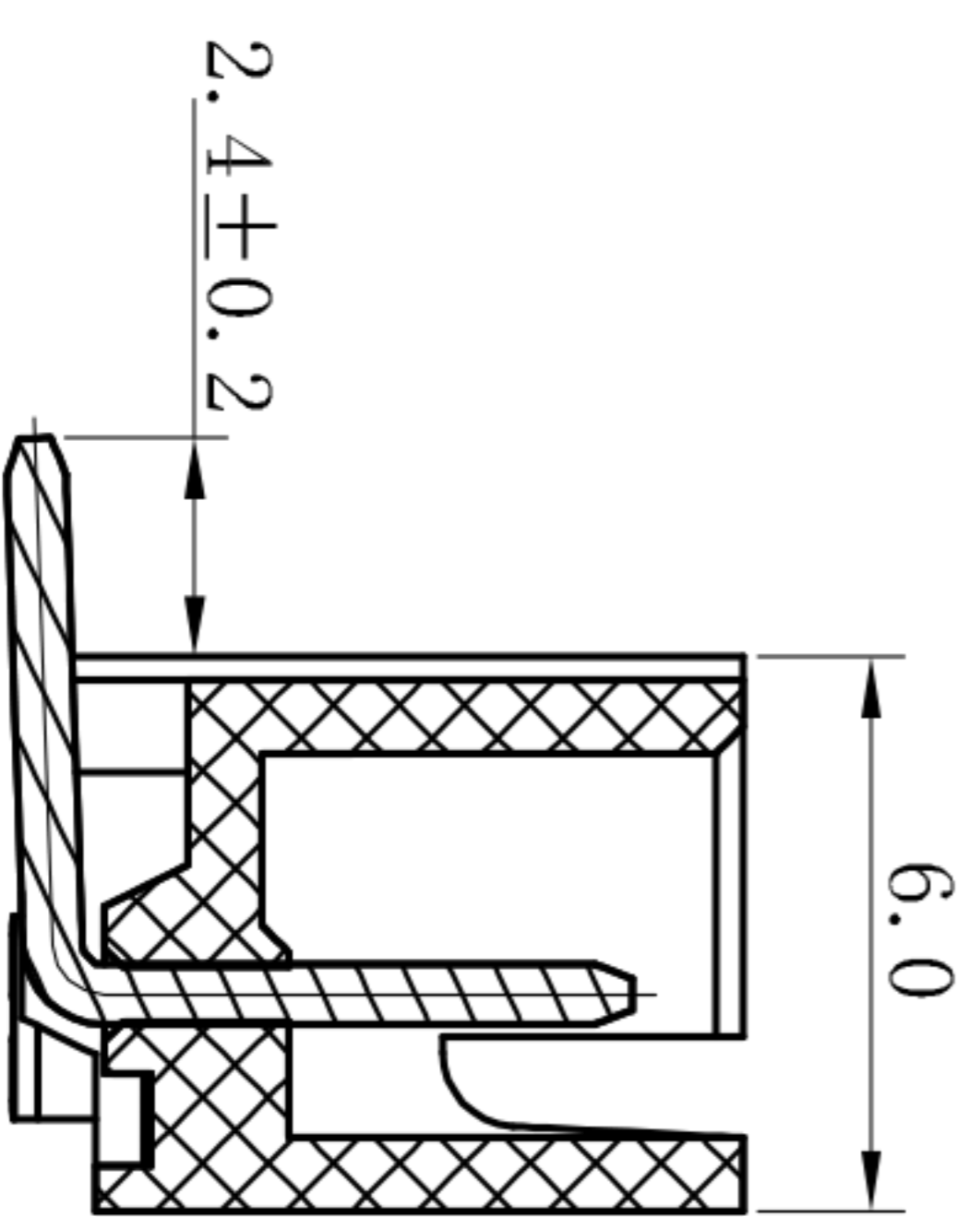
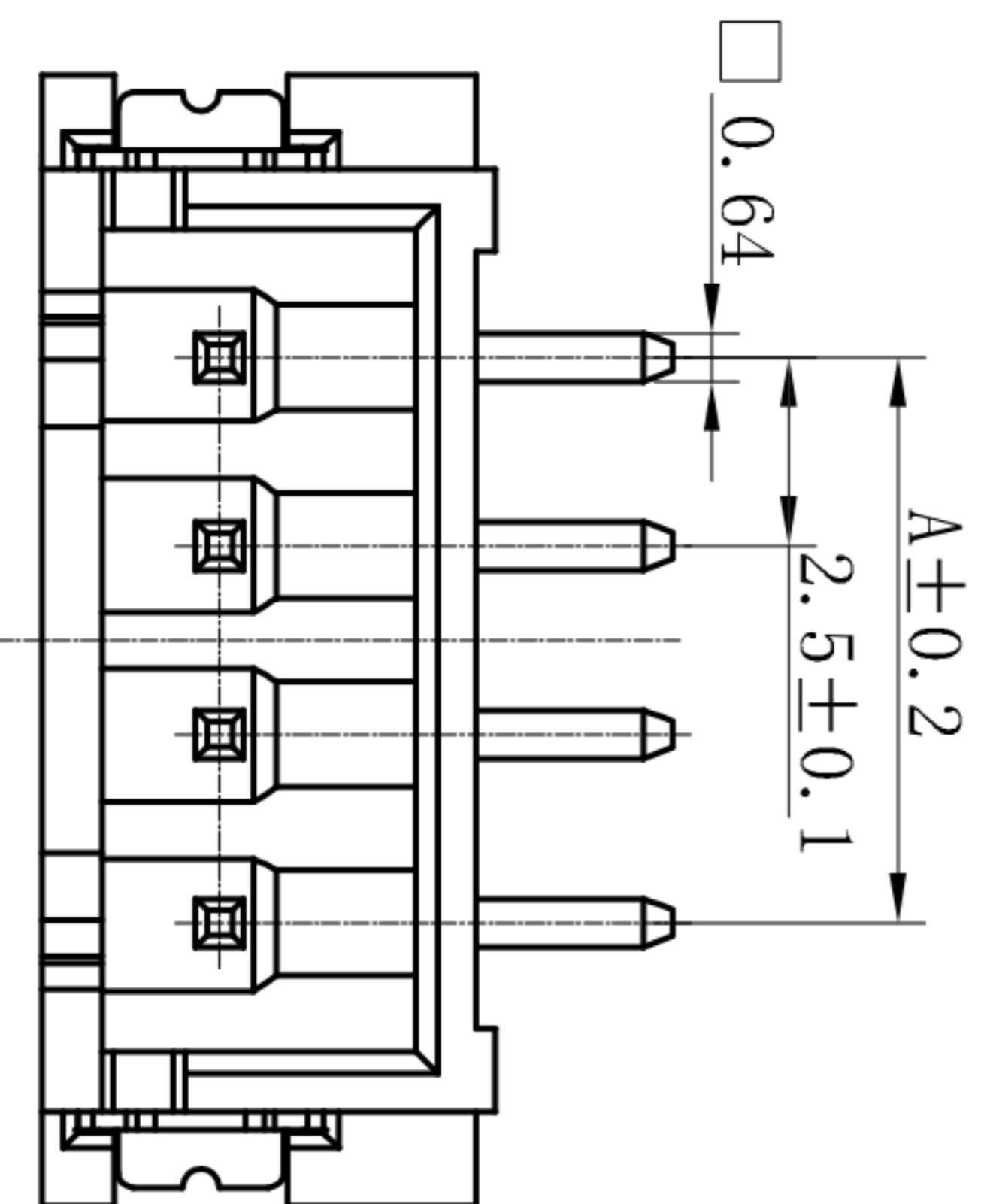
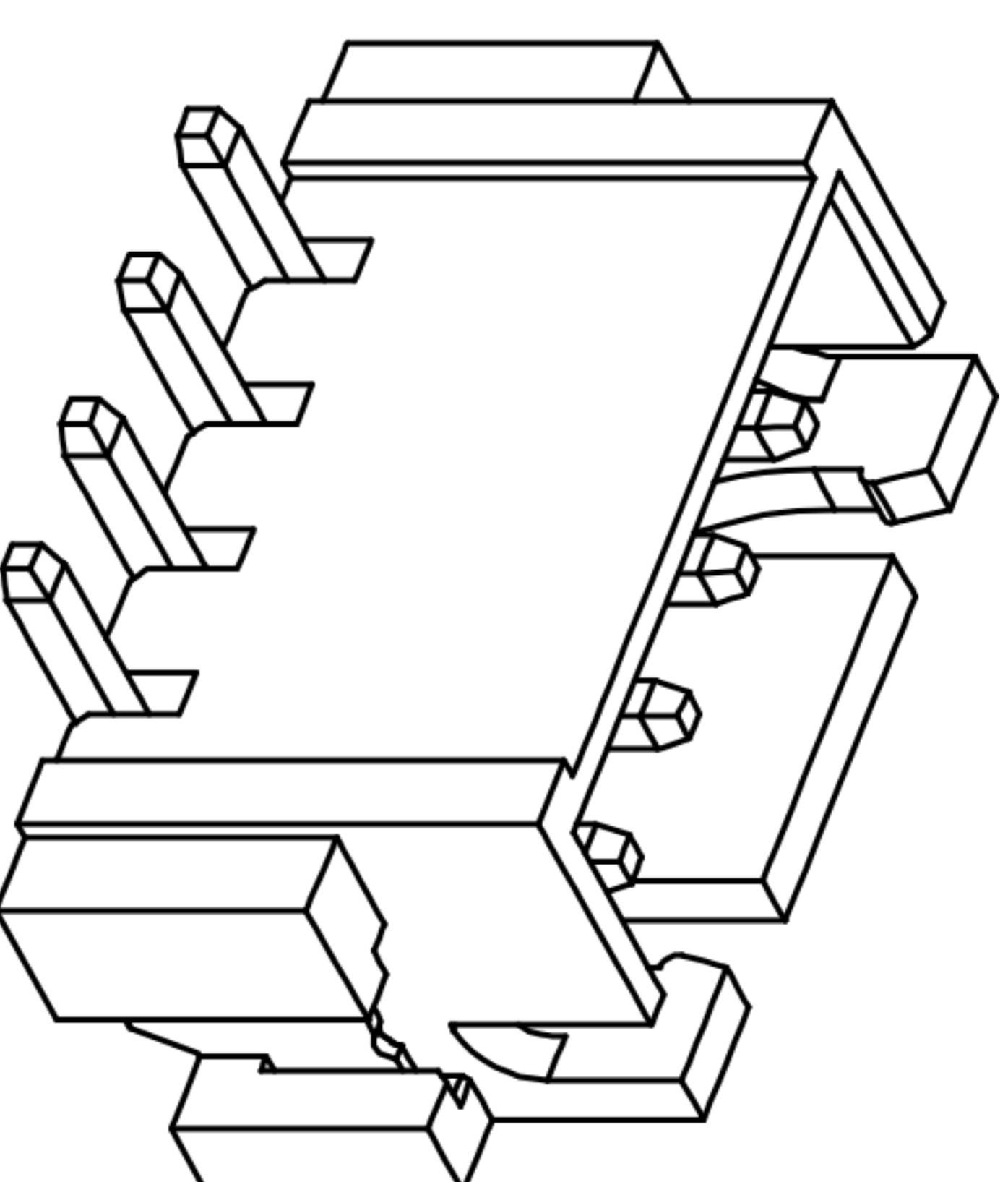
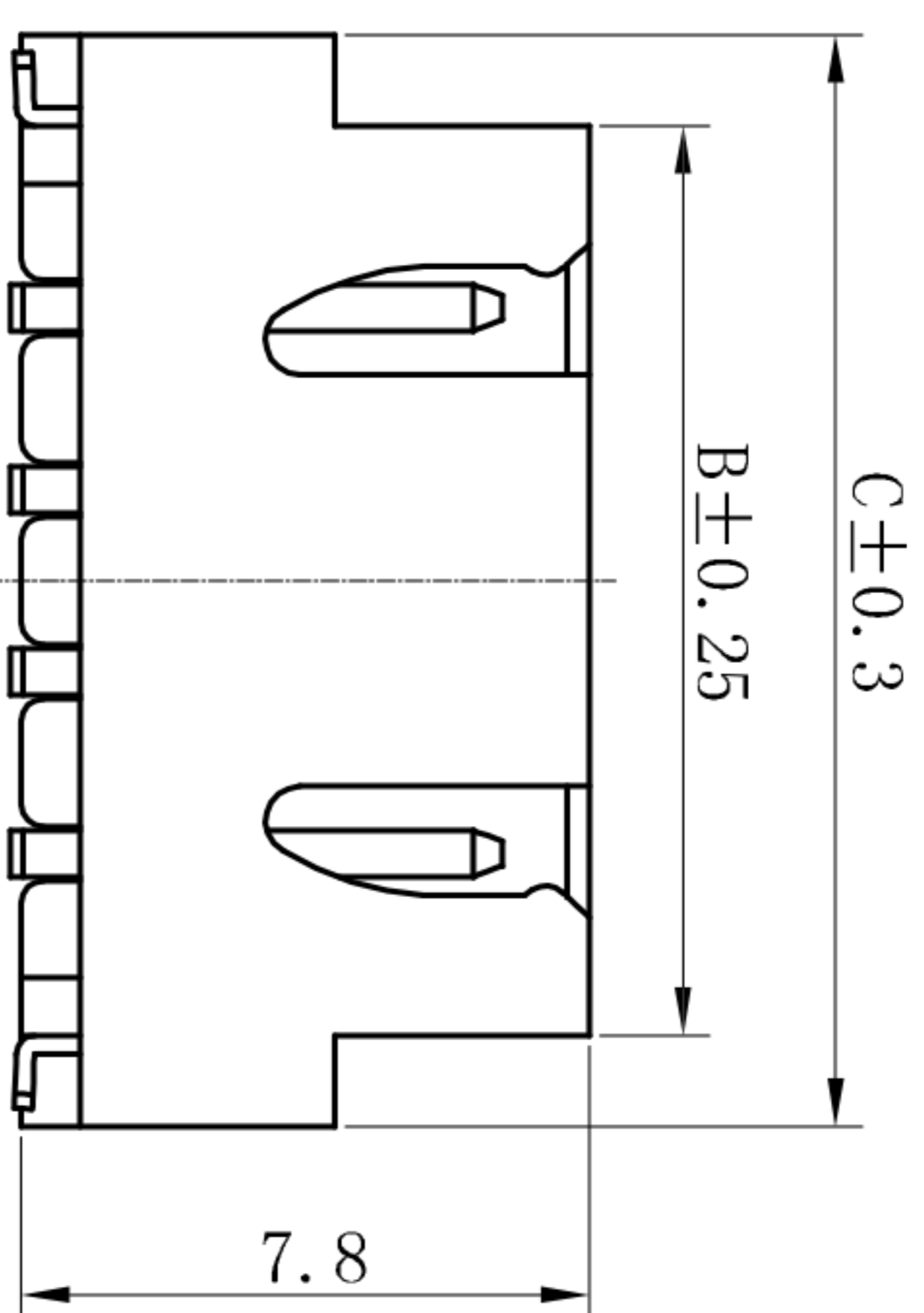
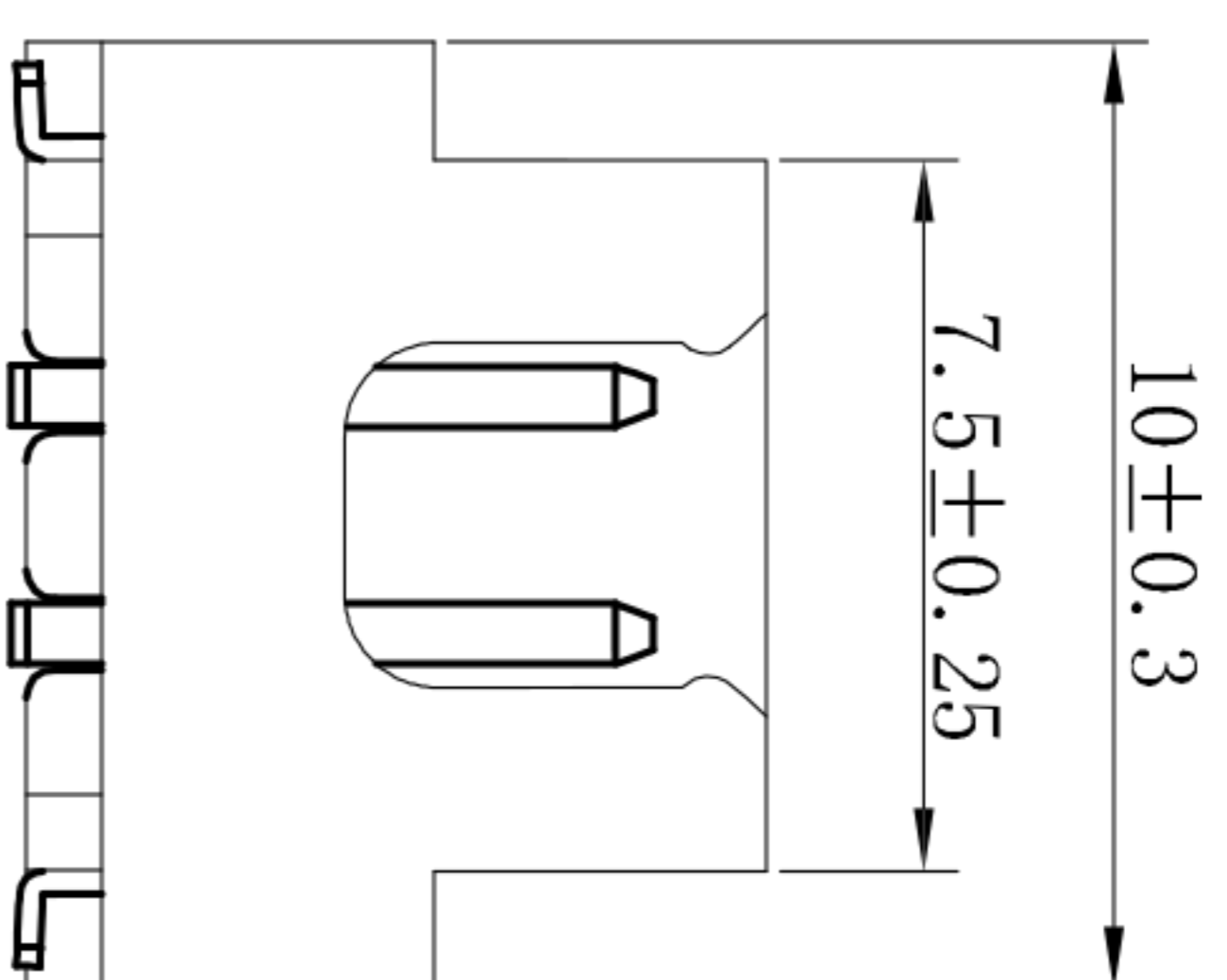


poles	A	B	C
2P	2.5	7.5	10.0
3P	5.0	10.0	12.5
4P	7.5	12.5	15.0
5P	10.0	15.0	17.5
6P	12.5	17.5	20.0
7P	15.0	20.0	22.5
8P	17.5	22.5	25.0
9P	20.0	25.0	27.5
10P	22.5	27.5	30.0
11P	25.0	30.0	32.5
12P	27.5	32.5	35.0
13P	30.0	35.0	37.5
14P	32.5	37.5	40.0
15P	35.0	40.0	42.5
16P	37.5	42.5	45.0



PCB板安装尺寸

技术参数 (SPECIFICATIONS)

额定电压: 250V AC DC
 Voltage rating: 250V AC DC
 额定电流: 3.0A AC DC #22
 Current rating: 3.0A AC DC #22
 耐压值: 1000V AC/minute
 Withstand voltage: 1000V AC/minute
 绝缘电阻: 1000MΩ MIN
 Insulation resistance: 1000MΩ MIN
 接触电阻: 0.02Ω MAX
 Contact resistance: 0.02Ω MAX
 工作温度: -25℃~+85℃
 Working Temperature: -25℃~+85℃
 间距: 2.5mm
 Pitch: 2.5mm
 材料 (MATERIAL)
 绝缘体: 尼龙9T UL94V-0
 Insulator: PA9T UL94V-0
 接触针: 黄铜
 Contact Pin: Brass
 焊片: 黄铜
 Solder tab: Brass

ECN NO.	REV.	DATE.	DESCRIPTION.	CHANGE.	CHECK.	APPRO.
	A		NEW			

APPROVALS		DATE	TOLERANCES ARE	
DRAWN	ZHIWEI.CHEN	2015.07.07	30~以上	±0.30
CHECKED			10~30	±0.20
APPROVALS			5~10	±0.15
			~ 5	±0.10
TITLE:		PART NO.	ANGLE	DRAWING NO.
		GP01-2501WVS-NP	±2°	
		UNIT: mm	SCALE: 1:1	PROJ:
				SHEET 1 OF 1

