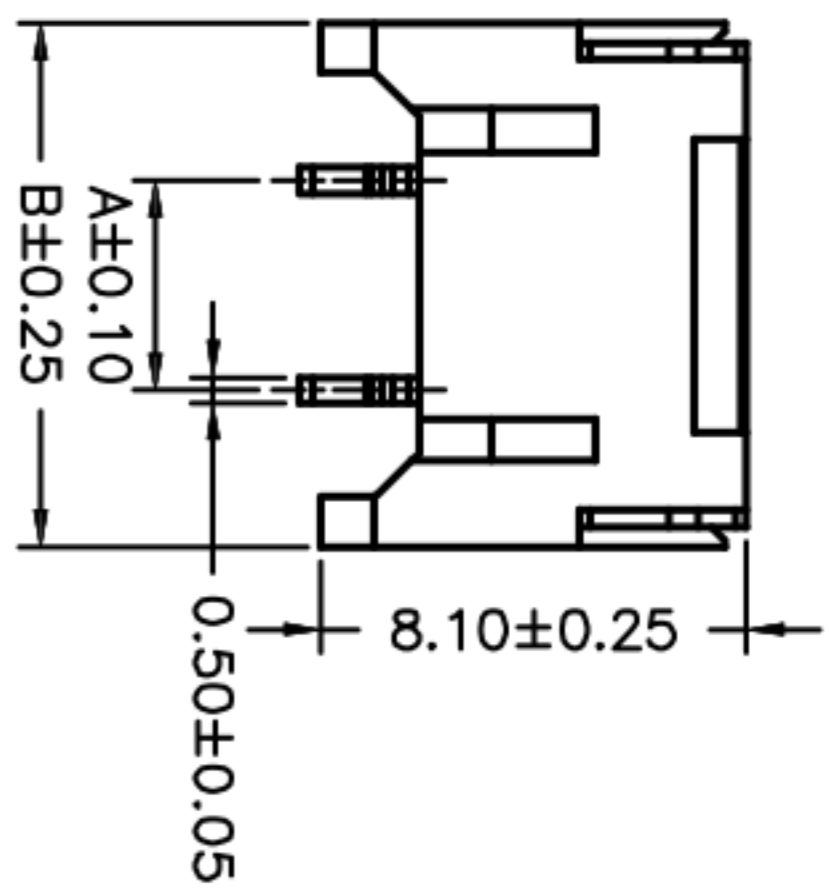
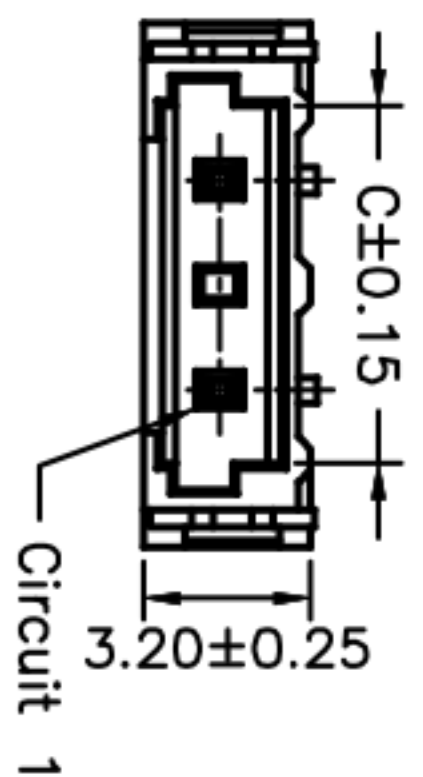


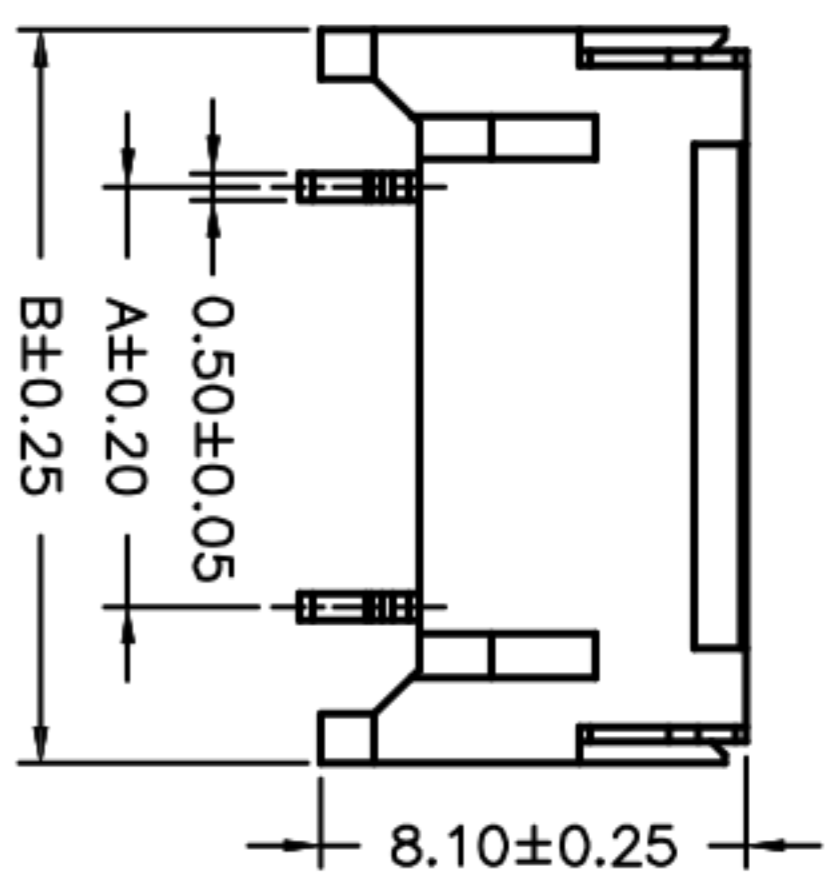
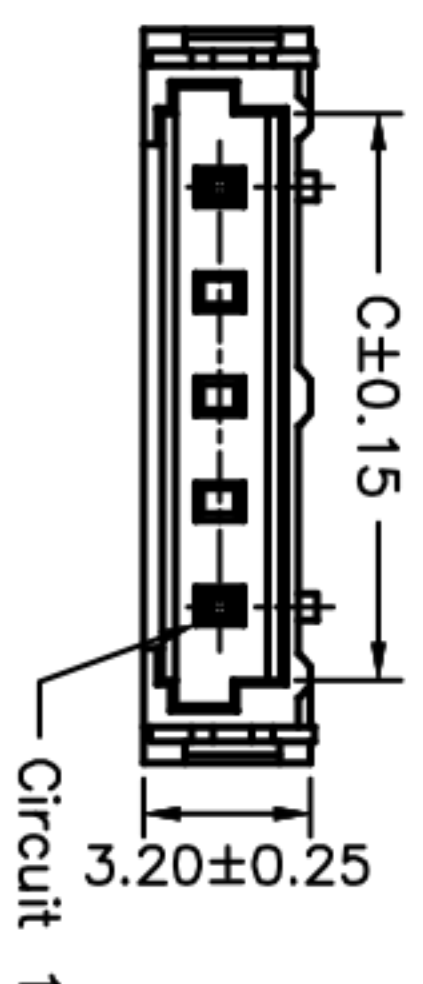
**SPECIFICATIONS**  
 Current Rating: 1A AC,DC  
 Voltage Rating: 600V AC,DC  
 Temperature Range: -25°C ~ +85°C  
 Contact Resistance: 10mΩ Max  
 Insulation Resistance: 1000MΩ Min  
 Withstanding Voltage: 1800V AC/minute  
 Pin Material: Brass/Tin-plated  
 Solder Tabs: Brass/Tin-plated  
 Material: Nylon 6T,UL94V-0  
 Color: Natural(Beige)

Ordering Information & Dimensions

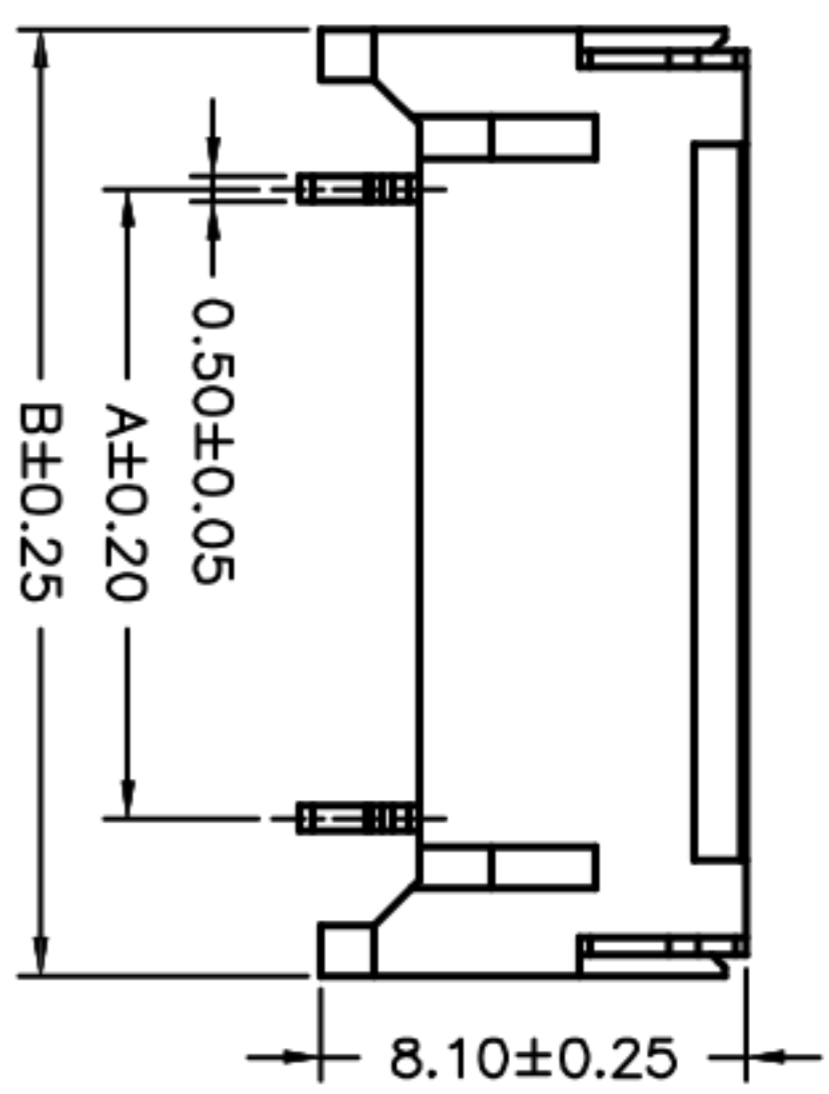
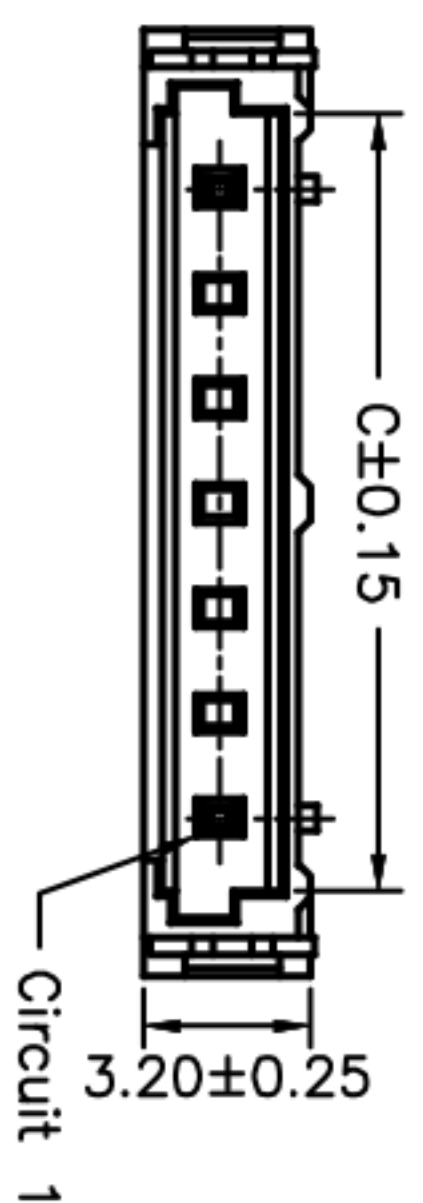
PART NO.	Dimensions		
	A	B	C
4000WR-S-02P1	4.00	10.00	6.80
4000WR-S-02P2	8.00	14.00	10.80
4000WR-S-02P3	12.00	18.00	14.80
4000WR-S-03P	8.00	14.00	10.80
4000WR-S-04P	12.00	18.00	14.80
4000WR-S-04P137	12.00	18.00	14.80
4000WR-S-04P157	12.00	18.00	14.80
4000WR-S-05P	16.00	22.00	18.80
4000WR-S-05PQ3	16.00	22.00	18.80



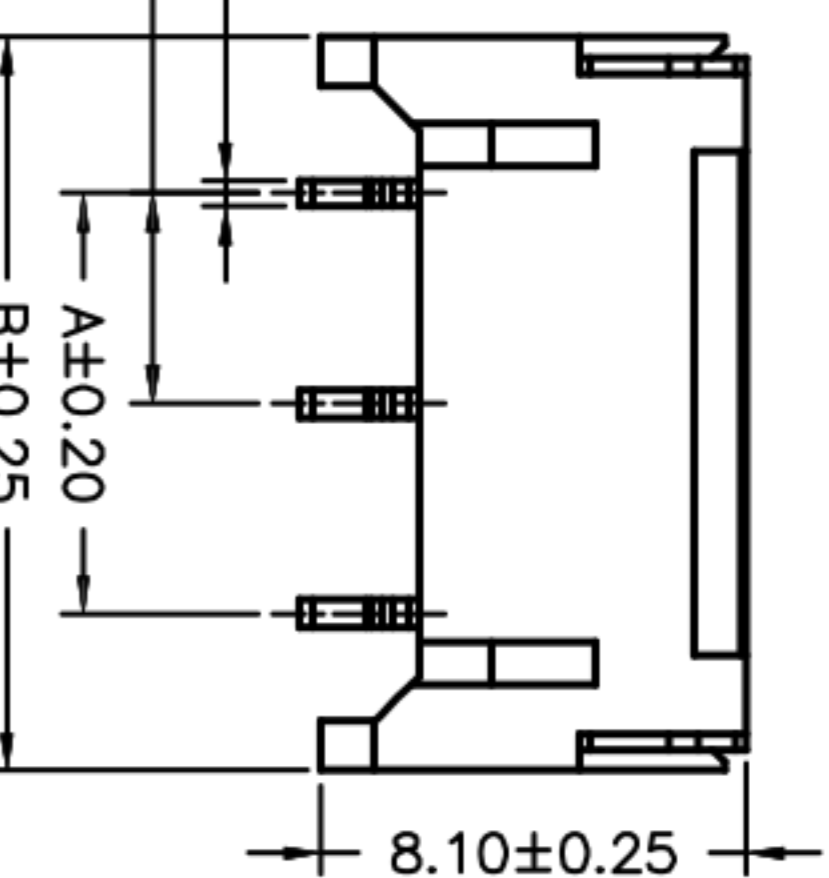
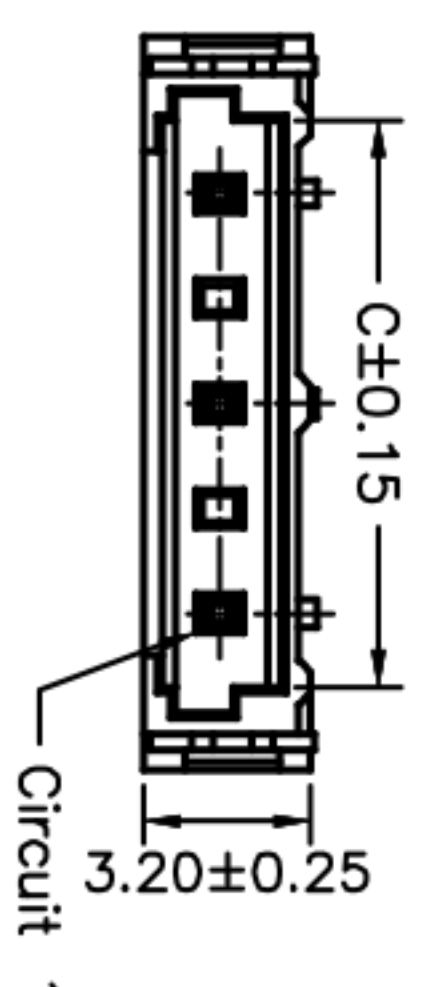
4000WR-S-02P1



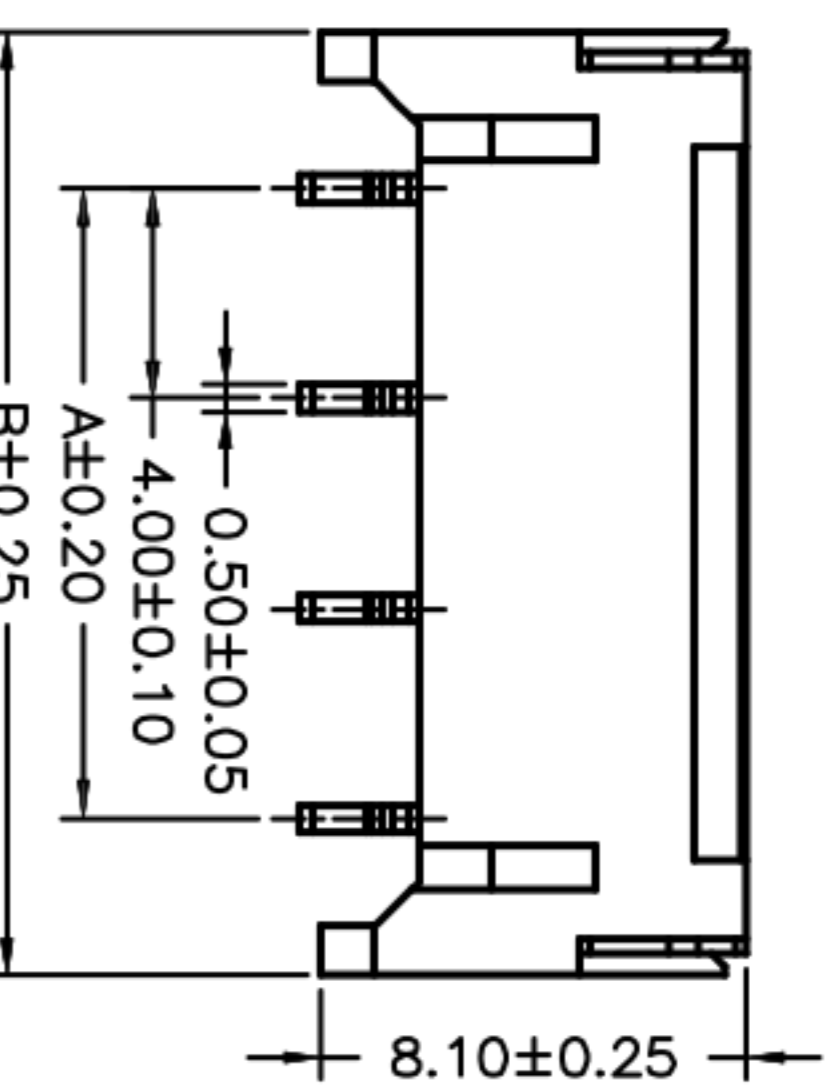
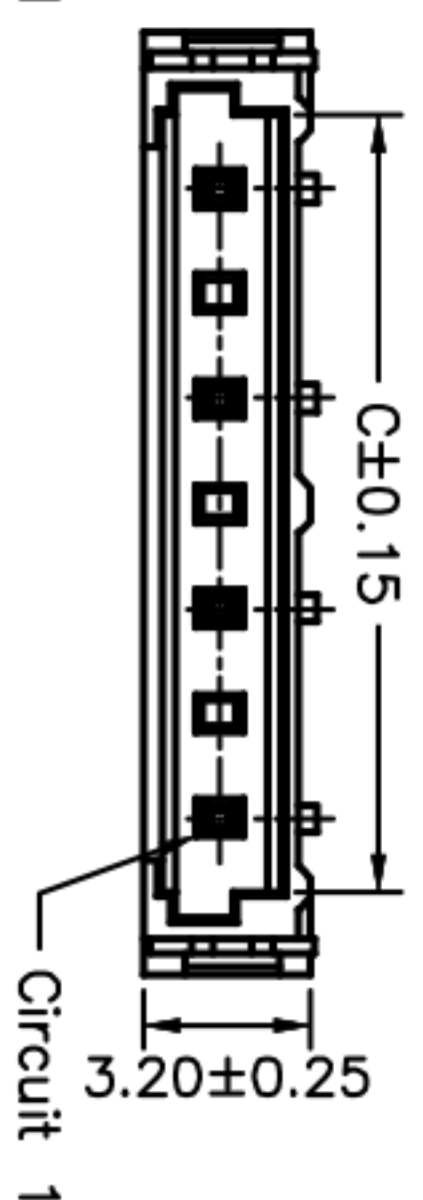
4000WR-S-02P2



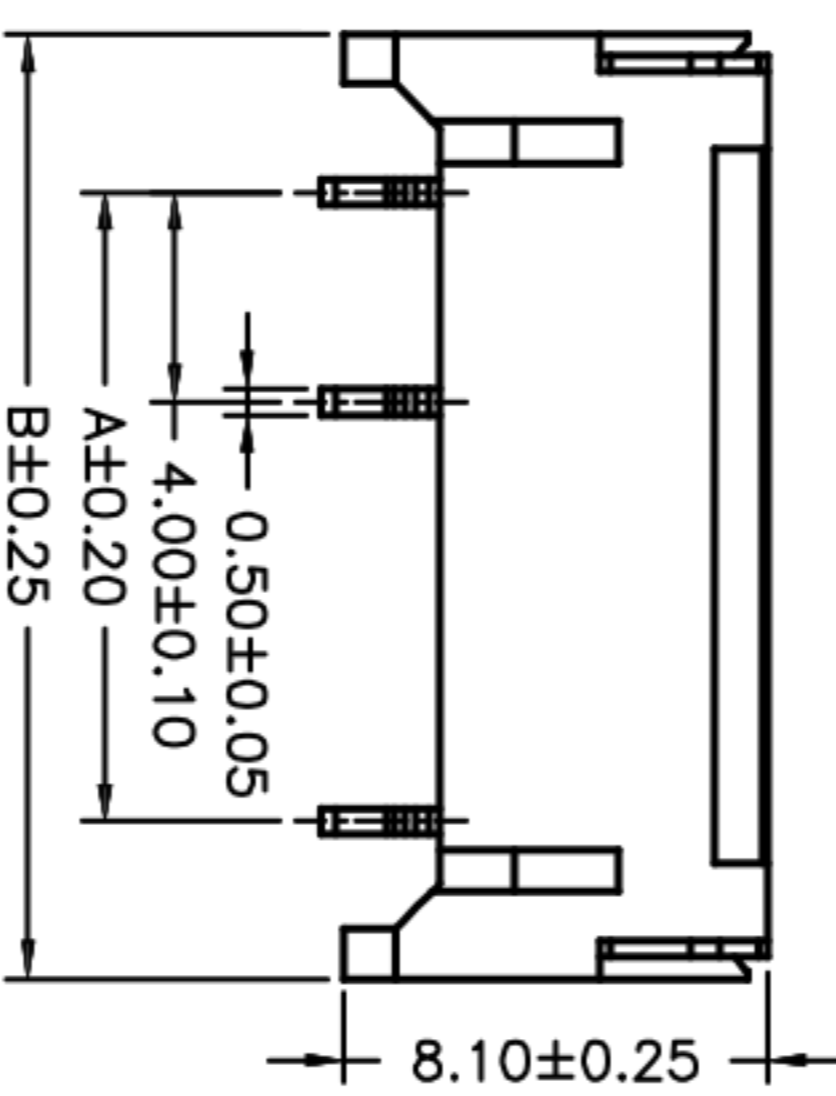
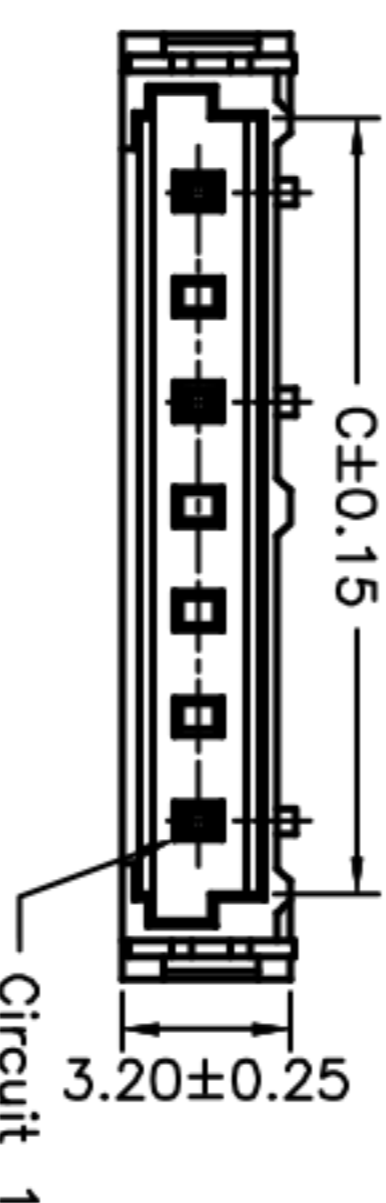
4000WR-S-02P3



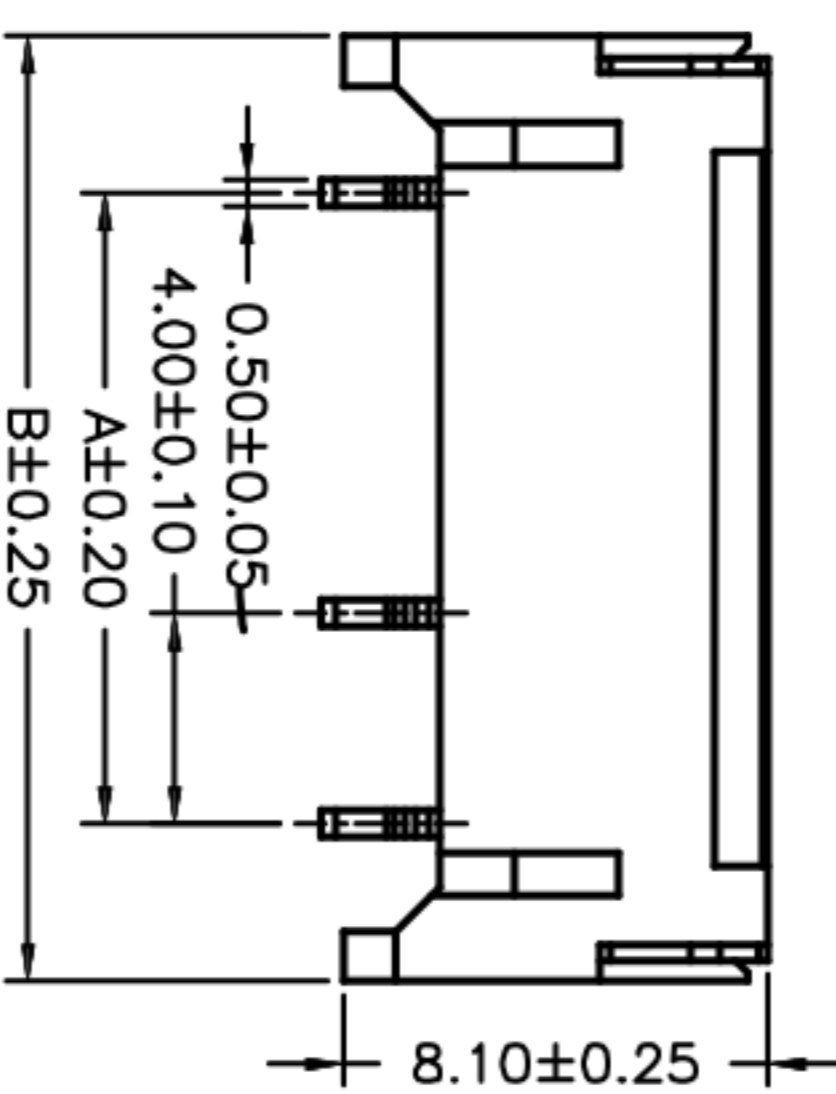
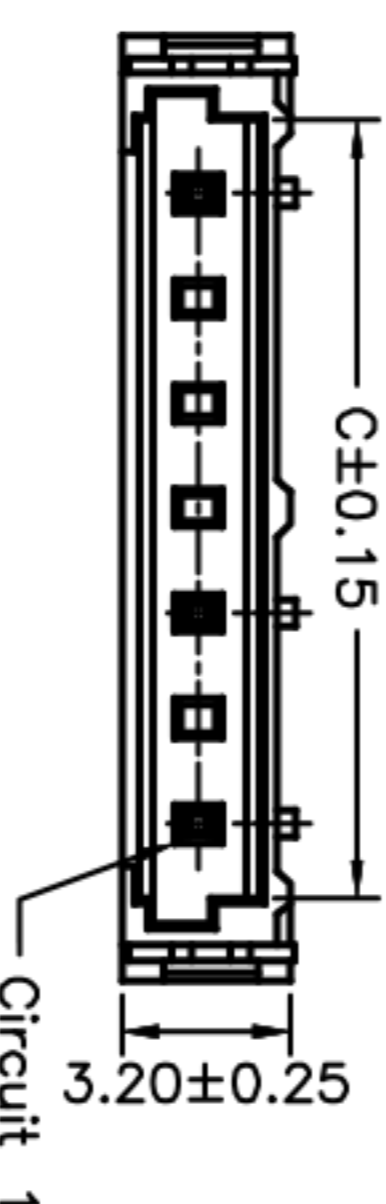
4000WR-S-03P



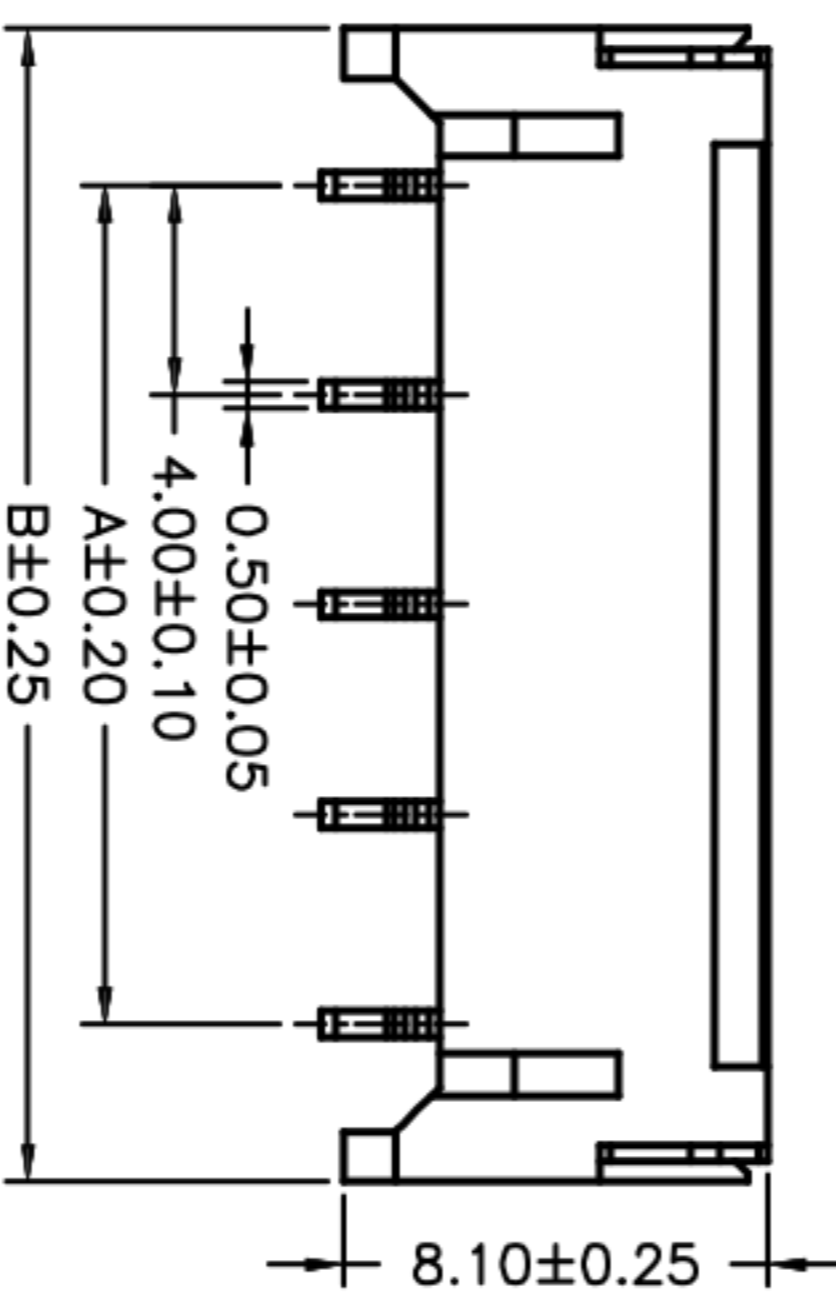
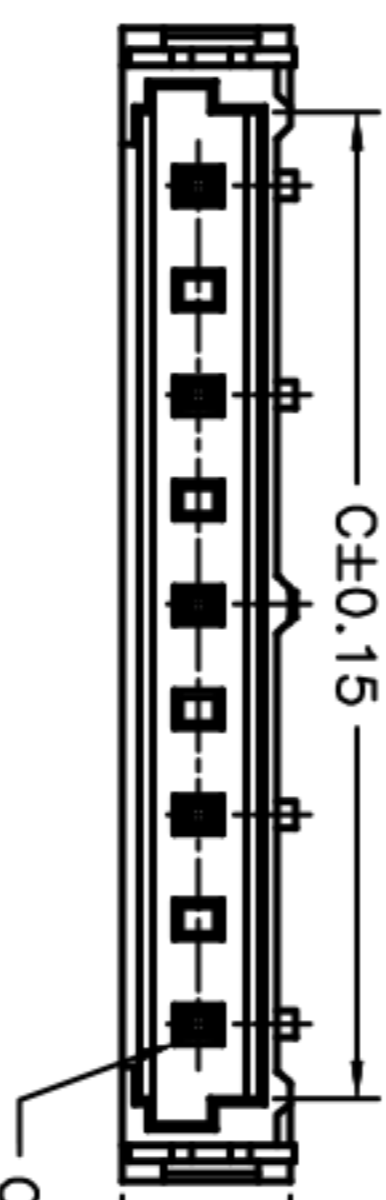
4000WR-S-04P



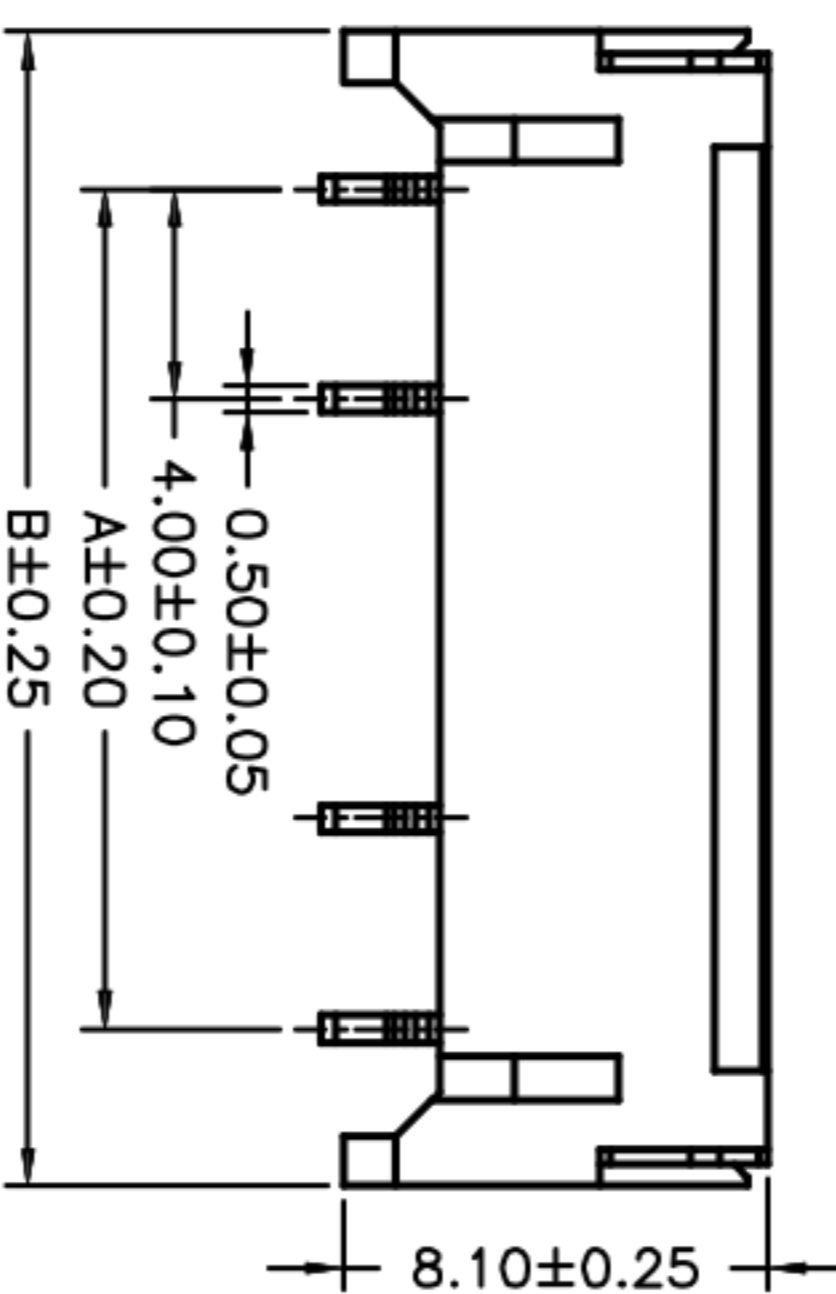
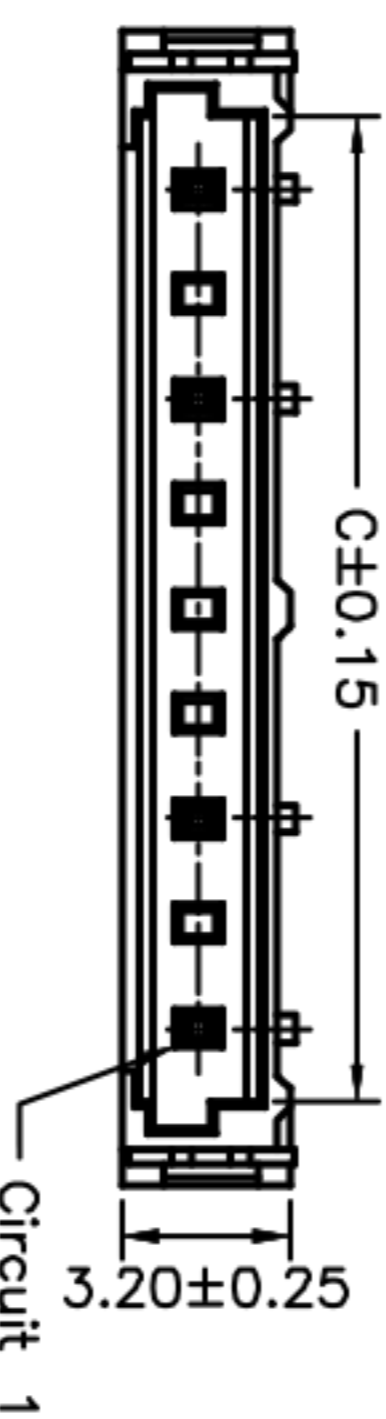
4000WR-S-04P137



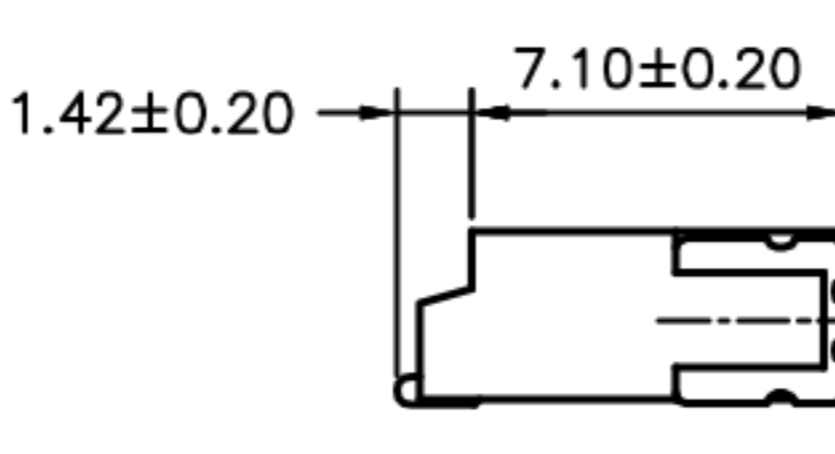
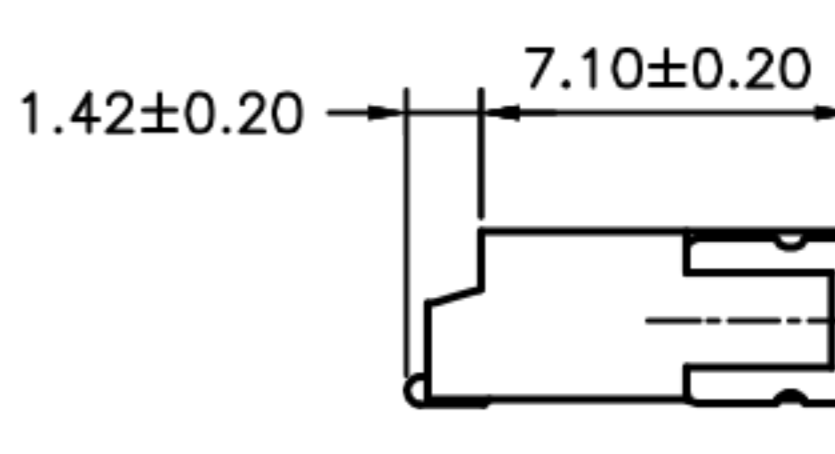
4000WR-S-04P157



4000WR-S-05P



4000WR-S-05PQ3



ECN NO.	REV.	DATE.	DESCRIPTION.	CHANGE.	CHECK.	APPRO.
	A		NEW			

APPROVALS		DATE	TITLE:	
DRAWN	ZHIWEI.CHEN	2015.07.07	4.00mm Crimp Style Connector	
CHECKED			GP01-4000WRS-NP	
APPROVALS			PART NO.	SCALE: 1:1
TOLERANCES ARE		ANGLE	UNIT: mm	PROJ.
30~以上	±0.30	±2°		
10~30	±0.20		DRAWING NO.	
5~10	±0.15			
~ 5	±0.10			SHEET 1 OF 1



深圳市联丰电子有限公司  
 SHENZHEN LINFENG ELECTRONIC CO.,LTD