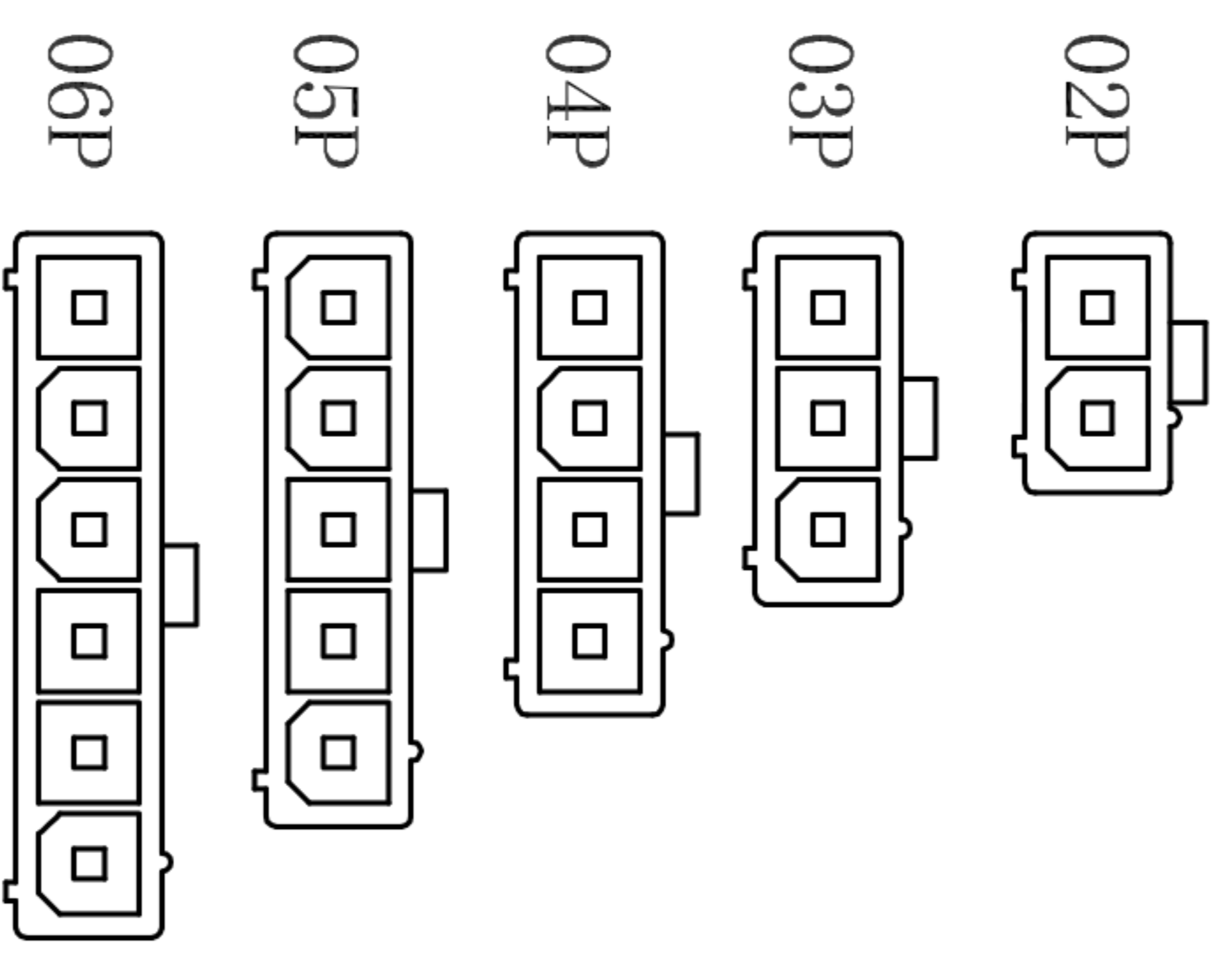


■ SPECIFICATIONS

- Voltage rating: 600V AC, DC
- Current rating: 7A, AC, DC
- Withstanding Voltage: 1500V AC/minute
- Insulation resistance: 1000MΩ min
- Temperature range: -25° C ~ +85° C
- Contact resistance: 20mΩ max

■ WAFER

- Part No. : 4255WR-NP
- Poles : 02-06P
- Housing Material: PA66 UL94V-2 or UL94V-0
- Pin Material: Brass
- Contact Area Plating: Tin-Plated or Gold-Flash



Poles	Dimensions (mm)	
	A	B
02	4.20	9.80
03	8.40	14.00
04	12.60	18.20
05	16.80	22.40
06	21.00	26.60

CIRCUIT SIZE LAYOUT

ECN NO.	REV.	DATE.	DESCRIPTION.	CHANGE.	CHECK.	APPRO.
	A		NEW			

APPROVALS		DATE	TITLE:
DRAWN	ZHIWEI.CHEN	2015.07.07	
CHECKED			UNIT: mm
APPROVALS			SCALE: 1:1
TOLERANCES ARE			PROJ.
30~以上	±0.30	ANGLE	DRAWING NO.
10~30	±0.20	±2°	
5~10	±0.15		
~ 5	±0.10		SHEET 1 OF 1



深圳市联丰电子有限公司
SHENZHEN LINFENG ELECTRONIC CO.,LTD