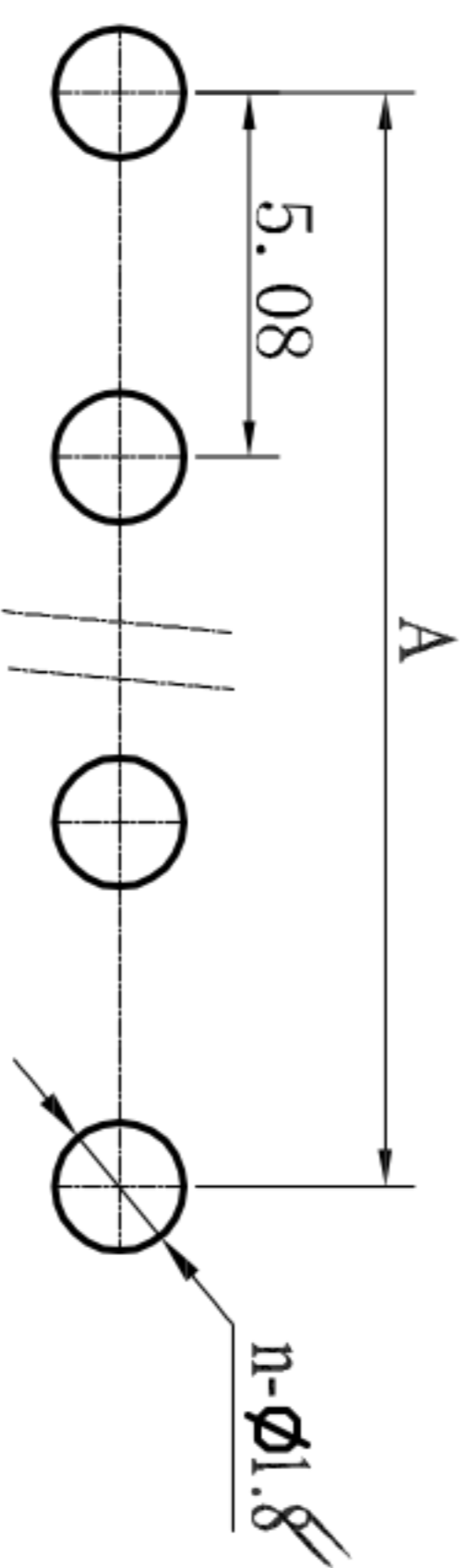
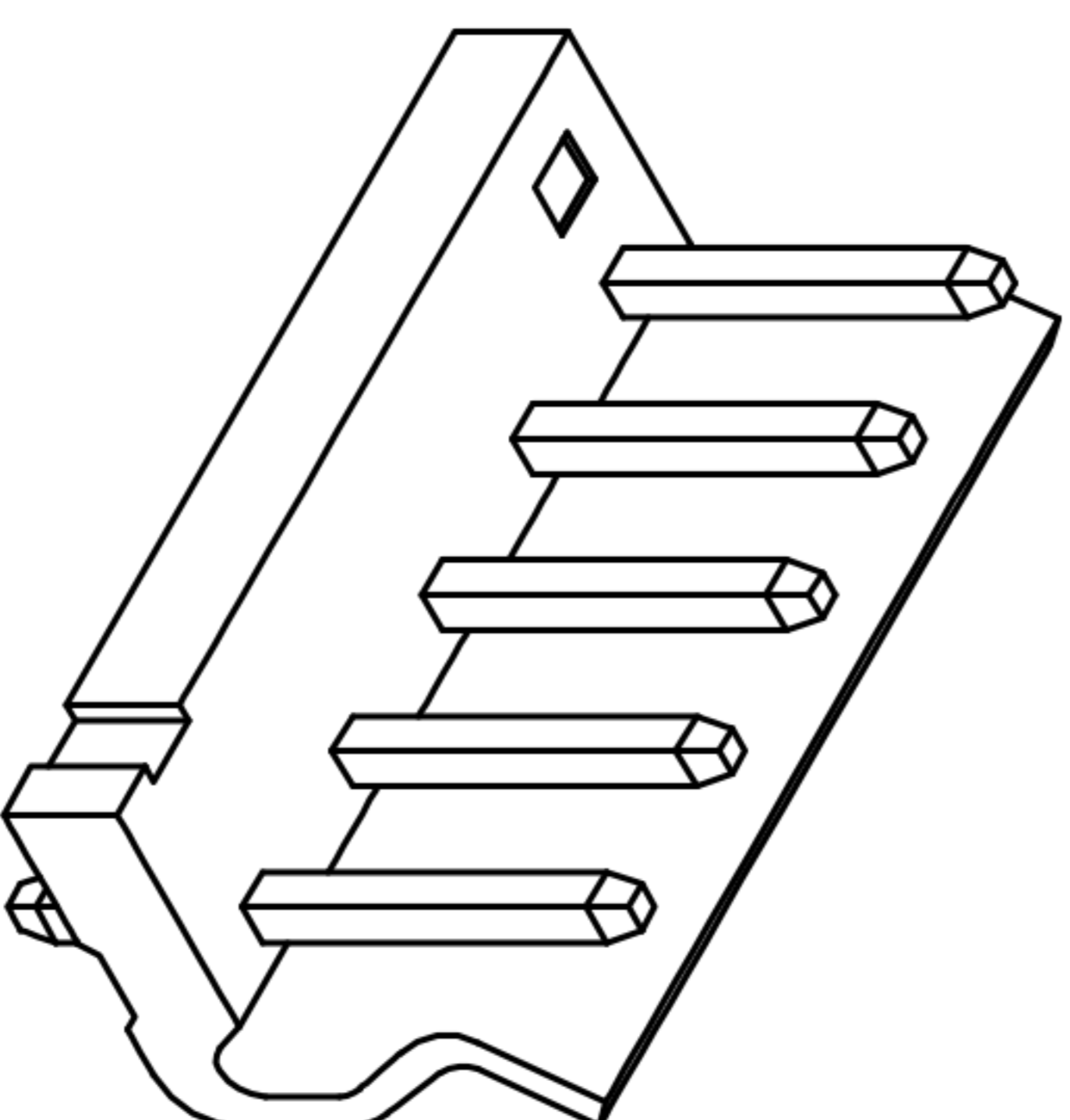
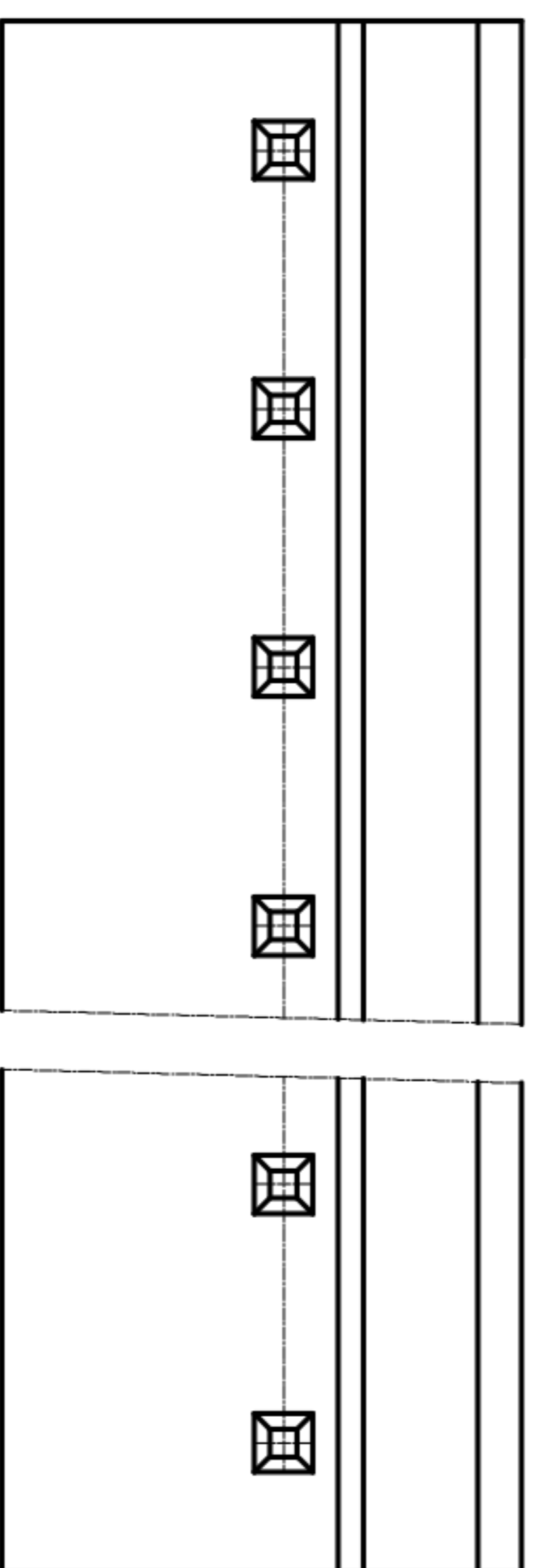
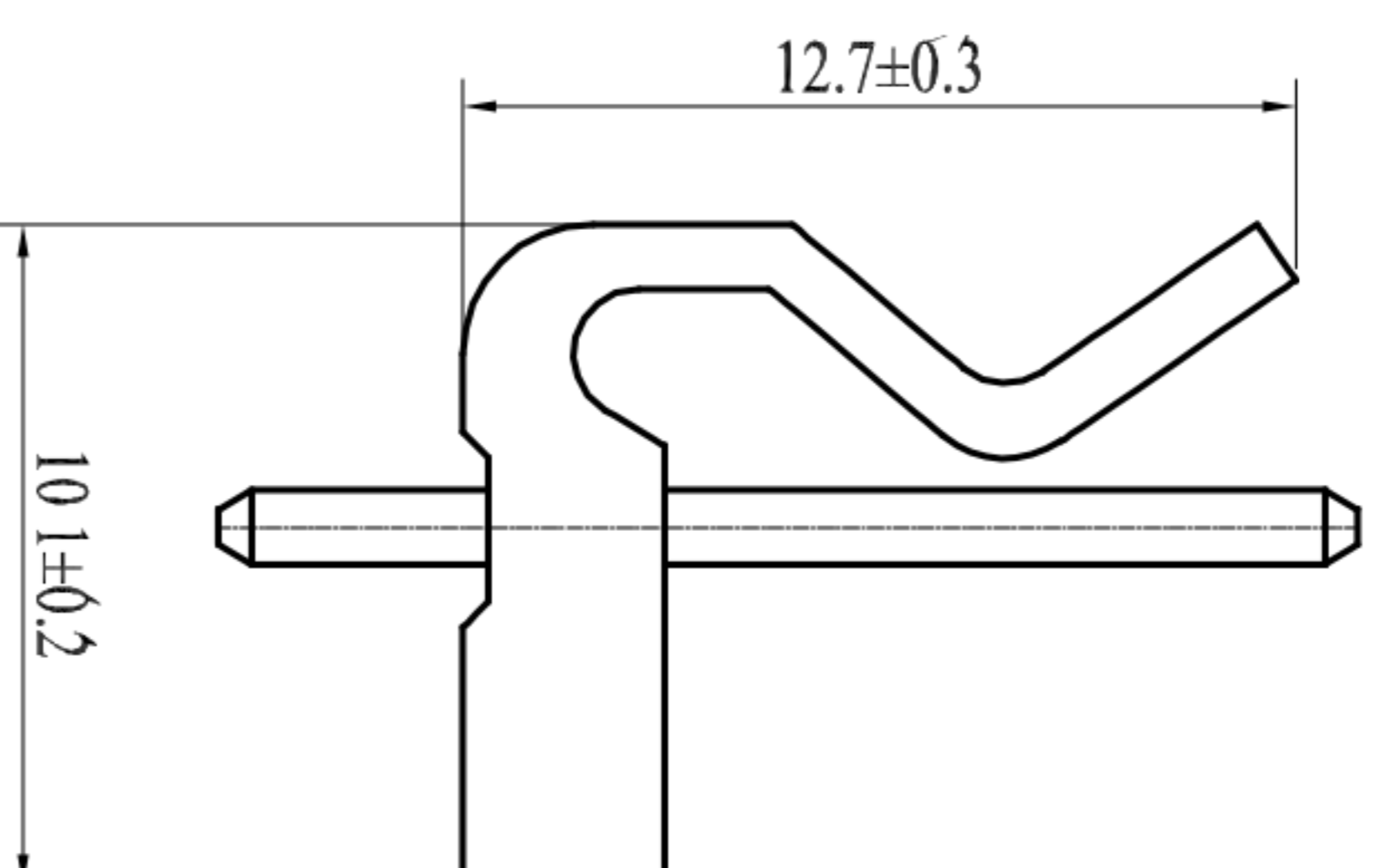
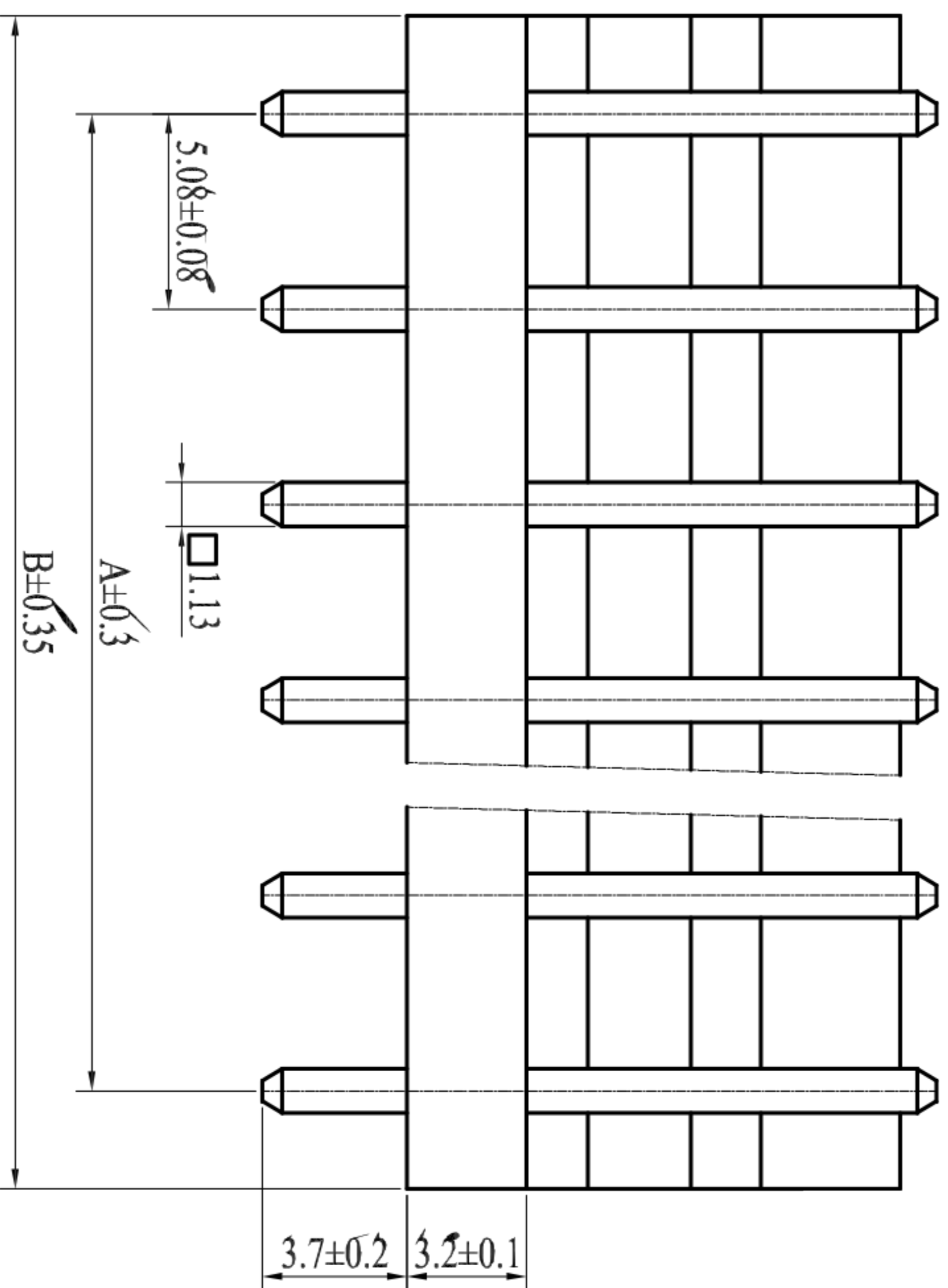


partno	A	B
2P	5.08	10.16
3P	10.16	15.24
4P	15.24	20.32
5P	20.32	25.02
6P	25.02	30.02
7P	30.02	35.56
8P	35.56	40.64
9P	40.64	45.72
10P	45.72	50.80
11P	50.80	55.88
12P	55.88	60.96



PCB LAYOUT



■ 技术参数 (SPECIFICATIONS)

- ◆ 额定电压: 250V AC DC
- ◆ Voltage rating: 250V AC DC
- ◆ 额定电流: 5.0A AC DC MIN
- ◆ Current rating: 5.0A AC DC MIN
- ◆ 耐压值: 1500V AC/minute
- ◆ Withstand voltage: 1500V AC/minute
- ◆ 绝缘电阻: 1000MΩ MIN
- ◆ Insulation resistance: 1000MΩ MIN
- ◆ 接触电阻: 0.02Ω MAX
- ◆ Contact resistance: 0.02Ω MAX
- ◆ 工作温度: -25°C ~ +85°C
- ◆ Working Temperature: -25°C ~ +85°C
- ◆ 间距: 5.08mm
- ◆ Pitch: 5.08mm
- 材料 (MATERIAL)
- ◆ 外壳: 尼龙66
- ◆ Housing: PA66
- ◆ 插针: 黄铜
- ◆ Pin: Brass

ECN NO.	REV.	DATE.	DESCRIPTION.
	A		NEW

APPROVALS		DATE	TOLERANCES ARE	
DRAWN	ZHIWEI.CHEN	2015.07.07	30~以上	±0.30
CHECKED			10~30	±0.20
APPROVALS			5~10	±0.15
			~ 5	±0.10
TITLE:		PART NO.	ANGLE	UNIT: mm
		GP01-5081W-NP	±2°	SCALE: 1:1
				PROJ:
				DRAWING NO. SHEET 1 OF 1



深圳市联丰电子有限公司  
SHENZHEN LINFENG ELECTRONIC CO.,LTD