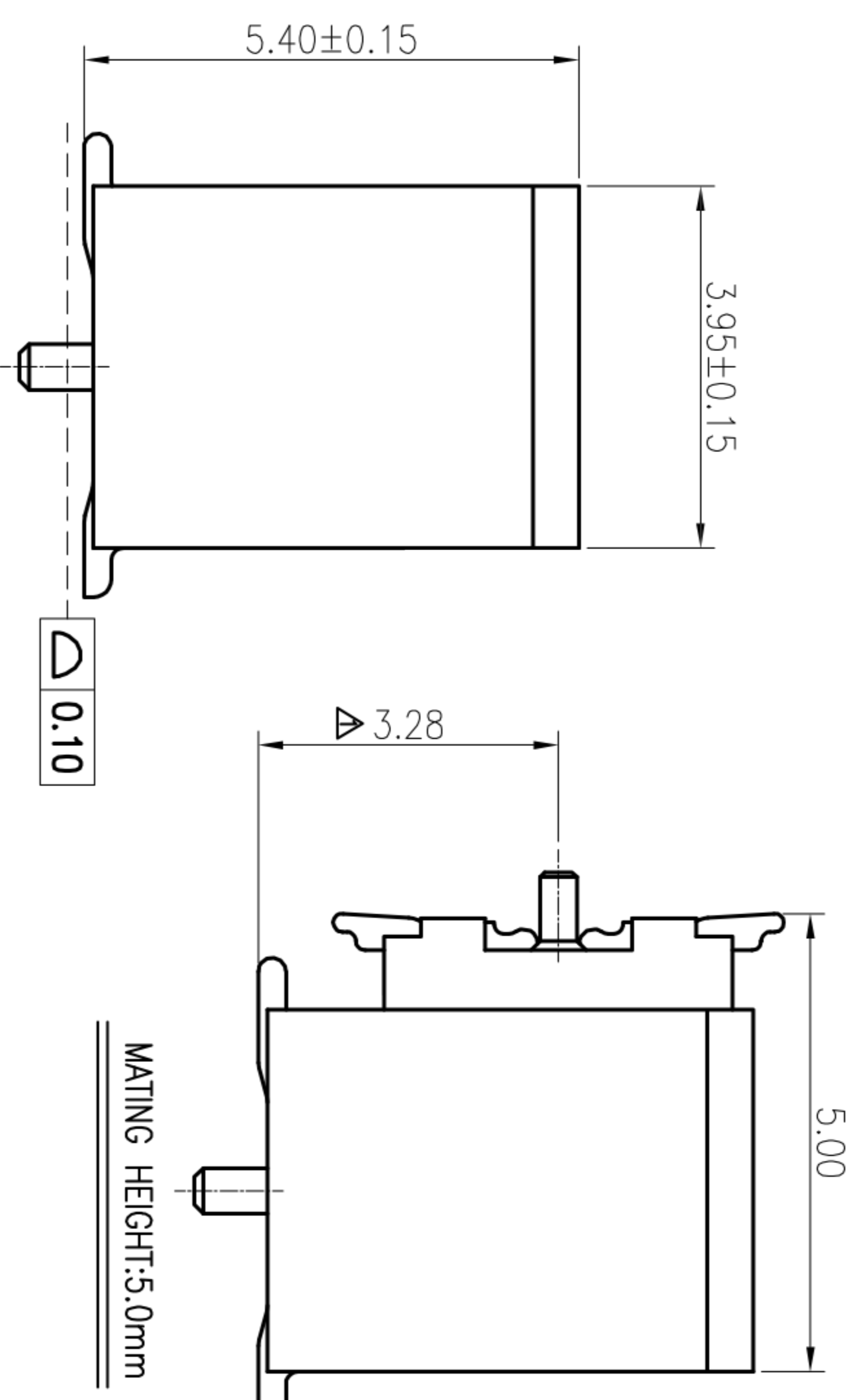
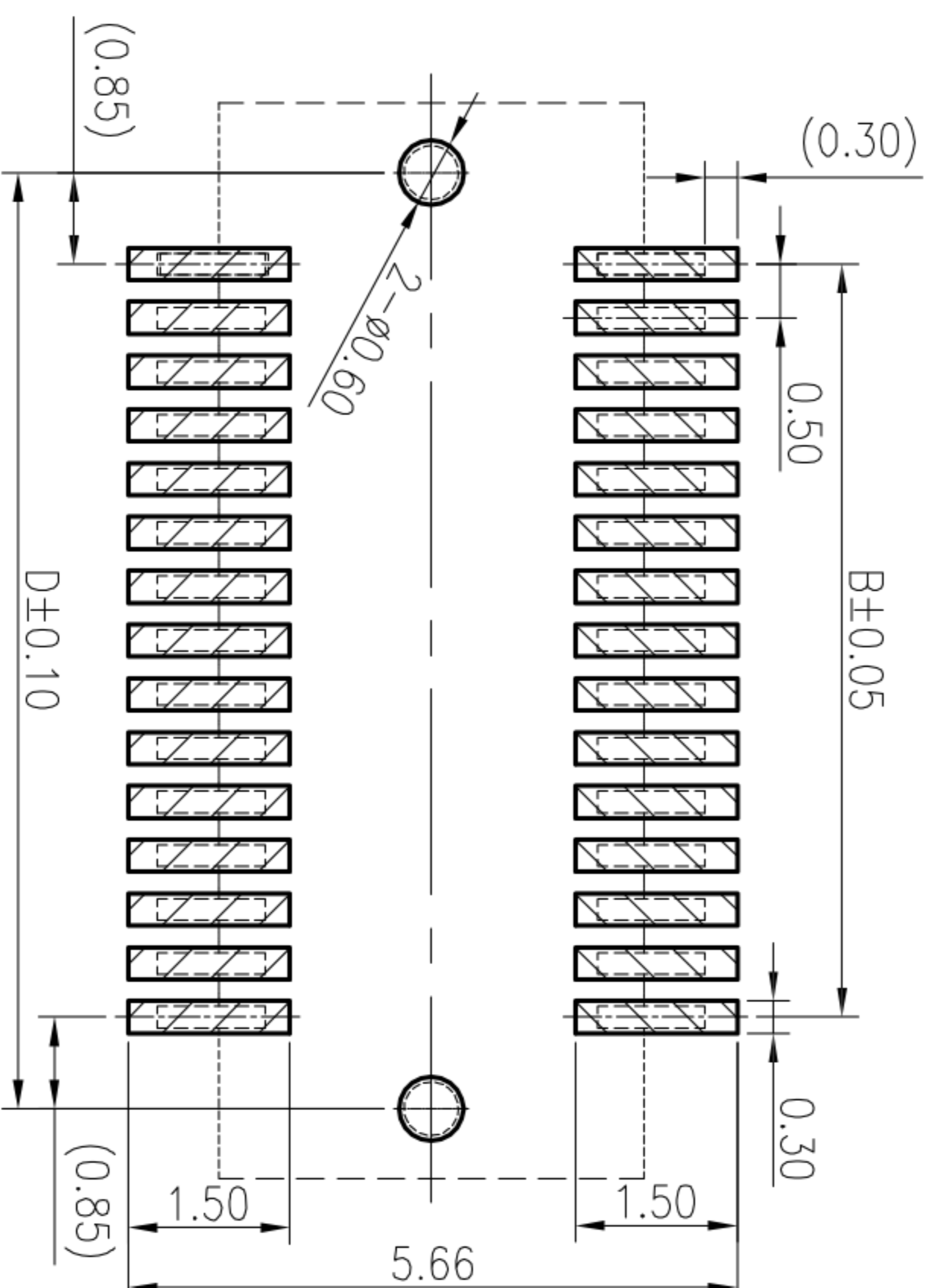


3D VIEW



MATING HEIGHT: 5.0mm



RECOMMENDED PCB PATTERN DIM.

TOLERANCE : ±0.05

NOTES:
 HOUSING: HIGH TEMPERATURE HOUSING UL94V-0
 WITHSTANDS IR AND VPR SOLDERING METHODS.
 CONTACTS: PHOSPHOR BRONZE.
 PLATING: GOLD PLATED.
 ELECTRICAL CHARACTERISTICS:
 CURRENT RATING: 0.3 AMP.
 INSULATOR RESISTANCE: 1000MΩ MIN. AT DC 250V.
 CONTACT RESISTANCE: 90MΩ MAX. AT DC 100MA.
 OPERATING TEMPERATURE: -55°C ~ +85°C .

NO. of contacts	Dimensions				NO. of contacts	Dimensions			
	A	B	C	D		A	B	C	D
4	3.50	0.50	2.52	2.20	32	10.50	7.50	9.52	9.20
6	4.00	1.00	3.02	2.70	34	11.00	8.00	10.02	9.70
8	4.50	1.50	3.52	3.20	36	11.50	8.50	10.52	10.20
10	5.00	2.00	4.02	3.70	38	12.00	9.00	11.02	10.70
12	5.50	2.50	4.52	4.20	40	12.50	9.50	11.52	11.20
14	6.00	3.00	5.02	4.70	42	13.00	10.00	12.02	11.70
16	6.50	3.50	5.52	5.20	44	13.50	10.50	12.52	12.20
18	7.00	4.00	6.02	5.70	46	14.00	11.00	13.02	12.70
20	7.50	4.50	6.52	6.20	48	14.50	11.50	13.52	13.20
22	8.00	5.00	7.02	6.70	50	15.00	12.00	14.02	13.70
24	8.50	5.50	7.52	7.20	52	15.50	12.50	14.52	14.20
26	9.00	6.00	8.02	7.70	60	17.50	14.50	16.52	16.20
28	9.50	6.50	8.52	8.20	70	20.00	17.00	19.02	18.70
30	10.00	7.00	9.02	8.70	80	22.50	19.50	21.52	21.20

APPROVALS		DATE	TITLE:	
DRAWN	ZHIWEI.CHEN	2015.07.07	0.5mm 侧插BTB SOCKET	
CHECKED			PART NO. GP02-3XX-GXXS-WOR	
APPROVALS			SCALE: 1:1	
TOLERANCES ARE		ANGLE	UNIT: mm	PROJ:
30~以上	±0.30	±2°	SCALE: 1:1	PROJ:
10~30	±0.20			
5~10	±0.15			
~ 5	±0.10			
ECN NO.	REV.	DATE.	DESCRIPTION.	SHEET 1 OF 1
	A		NEW	
			CHANGE.	
			CHECK.	
			APPRO.	



深圳市联丰电子有限公司
 SHENZHEN LIANFENG ELECTRONIC CO.,LTD